

M12 90° Female

4 Pos – 0.5mm² – PUR – Code A



0.5 mm²



150/250 VDC



4 POS - A



4 A



-40°C



+85°C



CHEMICALS



ABRASION



IP 67



UV

M12 90° Female 4 Pos - 0.5mm² - PUR - Code A

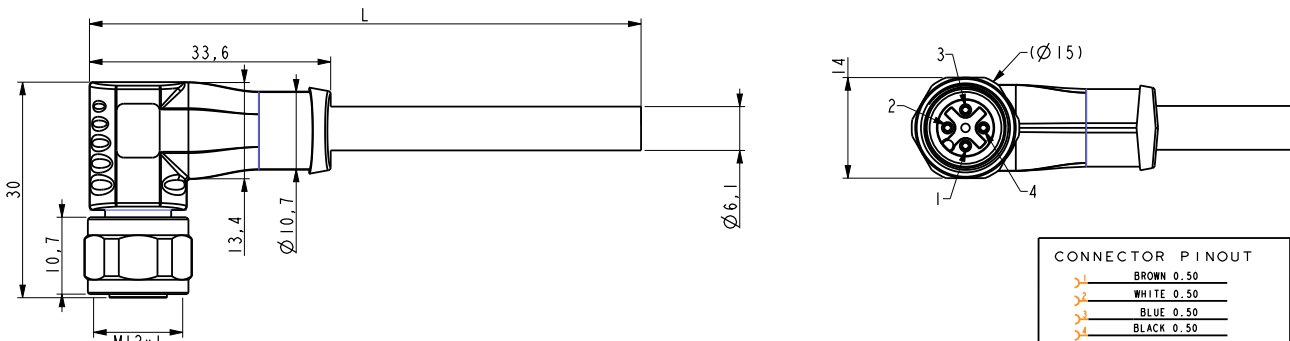
Specifications & qualifications

- ✓ IP 67 - according to IEC 60529:2003
- ✓ Abrasion - ISO 6722-1:2011, technical card KT/242
- ✓ Temperature cycling – IEC 60068-2-14:2009, Test N
- ✓ Cold T° steady state test – IEC 60068-2-1, test Ab: -40°C, 72h
- ✓ Heat T° steady state test – IEC 60068-2-2, test Bb: +85°C, 72h
- ✓ UV / Solar radiation – EN/IEC 60068-2-5:2018, test S
- ✓ Fluid contamination NPK – IEC 60068-2-74 test Xc: 70°C, 93h
- ✓ Nut – Stainless Steel 304
- ✓ PUR Cable 125°C
- ✓ ULV94V0
- ✓ CE
- ✓ Reach
- ✓ RoHS



Technical data

Specific lengths or custom terminations on demand				
Part number	L	Cable	Outer diameter	Cable specifications
0008-0000-01000A	1000 mm	4x0.5mm ²	6.1 ± 0.25	PUR HT class C Black Color According to ISO 6722
0008-0000-02000A	2000 mm	4x0.5mm ²		
0008-0000-05000A	5000 mm	4x0.5mm ²		
0008-0000-10000A	10000 mm	4x0.5mm ²		



The information herein is provided "as is". Please be aware that the device may be damaged, and functionality cannot be assumed, if the limits or the parameters in this datasheet is exceeded. For avoidance, of doubt, Rimaster takes no responsibility in such cases. To the maximum extent permitted by law, Rimaster makes no warranty of suitability, merchantability, fitness for a particular purpose or non-infringement of third party's intellectual property rights. Moreover, Rimaster takes no responsibility for any indirect, consequential or special damages.

M12 90° Male

4 Pos – 0.5mm² – PUR – Code A



0.5 mm²



150/250 VDC



4 POS – A



4 A



-40°C



+85°C



CHEMICALS



ABRASION



IP 67



UV

M12 90° Male 4 Pos - 0.5mm² - PUR - Code A

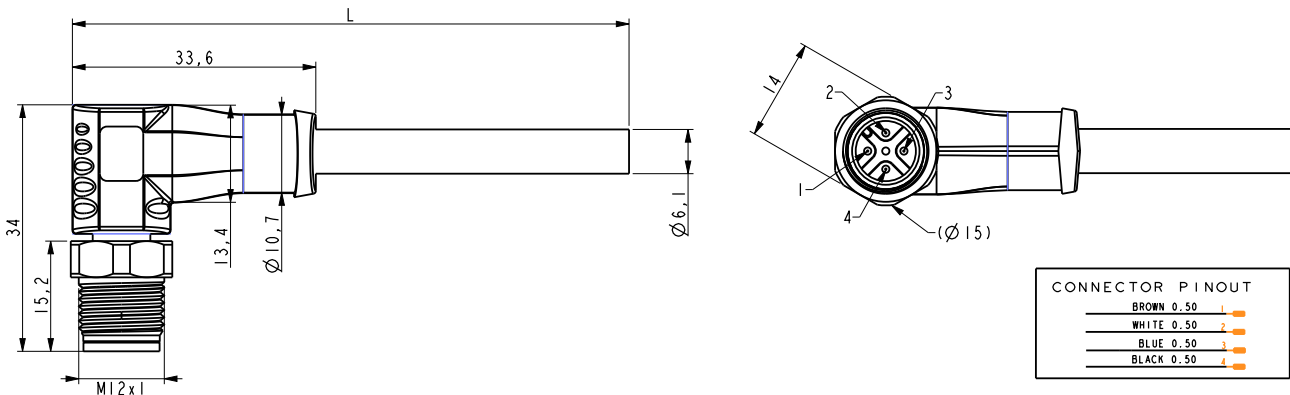
Specifications & qualifications

- ✓ IP 67 - according to IEC 60529:2003
- ✓ Abrasion - ISO 6722-1:2011, technical card KT/242
- ✓ Temperature cycling – IEC 60068-2-14:2009, Test N
- ✓ Cold T° steady state test – IEC 60068-2-1, test Ab: -40°C, 72h
- ✓ Heat T° steady state test – IEC 60068-2-2, test Bb: +85°C, 72h
- ✓ UV / Solar radiation – EN/IEC 60068-2-5:2018, test S
- ✓ Fluid contamination NPK – IEC 60068-2-74 test Xc: 70°C, 93h
- ✓ Nut – Stainless Steel 304
- ✓ PUR Cable 125°C
- ✓ ULV94V0
- ✓ CE
- ✓ Reach
- ✓ RoHS



Technical data

Specific lengths or custom terminations on demand				
Part number	L	Cable	Outer diameter	Cable specifications
0009-0000-01000A	1000 mm	4x0.5mm ²	6.1 ± 0.25	PUR HT class C Black Color According to ISO 6722
0009-0000-02000A	2000 mm	4x0.5mm ²		
0009-0000-05000A	5000 mm	4x0.5mm ²		
0009-0000-10000A	10000 mm	4x0.5mm ²		



The information herein is provided "as is". Please be aware that the device may be damaged, and functionality cannot be assumed, if the limits or the parameters in this datasheet is exceeded. For avoidance, of doubt, Rimaster takes no responsibility in such cases. To the maximum extent permitted by law, Rimaster makes no warranty of suitability, merchantability, fitness for a particular purpose or non-infringement of third party's intellectual property rights. Moreover, Rimaster takes no responsibility for any indirect, consequential or special damages.

M12 180° Female

4 Pos – 0.5mm² – PUR – Code A



0.5 mm²



150/250 VDC



4 POS – A



4 A



-40°C



+85°C



CHEMICALS



ABRASION



IP 67



UV

M12 180° Female 4 Pos - 0.5mm² - PUR - Code A

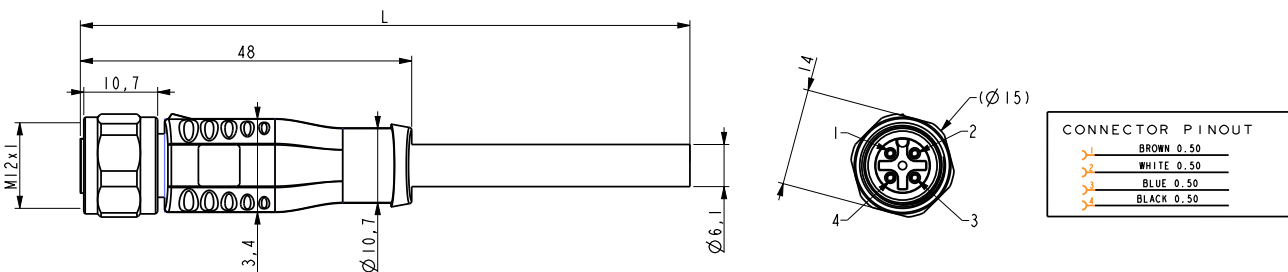
Specifications & qualifications

- ✓ IP 67 - according to IEC 60529:2003
- ✓ Abrasion - ISO 6722-1:2011, technical card KT/242
- ✓ Cold T° steady state test - IEC 60068-2-1, test Ab: -40°C, 72h
- ✓ Heat T° steady state test - IEC 60068-2-2, test Bb: +85°C, 72h
- ✓ UV / Solar radiation - EN/IEC 60068-2-5:2018, test S
- ✓ Fluid contamination NPK - IEC 60068-2-74 test Xc: 70°C, 93h
- ✓ Nut – Stainless Steel 304
- ✓ PUR Cable 125°C
- ✓ ULV94V0
- ✓ CE
- ✓ Reach
- ✓ RoHS



Technical data

Specific lengths or custom terminations on demand				
Part number	L	Cable	Outer diameter	Cable specifications
0006-0000-01000A	1000 mm	4x0.5mm ²	6.1 ± 0.25	PUR HT class C Black Color According to ISO 6722
0006-0000-02000A	2000 mm	4x0.5mm ²		
0006-0000-05000A	5000 mm	4x0.5mm ²		
0006-0000-10000A	10000 mm	4x0.5mm ²		



The information herein is provided "as is". Please be aware that the device may be damaged, and functionality cannot be assumed, if the limits or the parameters in this datasheet is exceeded. For avoidance, of doubt, Rimaster takes no responsibility in such cases. To the maximum extent permitted by law, Rimaster makes no warranty of suitability, merchantability, fitness for a particular purpose or non-infringement of third party's intellectual property rights. Moreover, Rimaster takes no responsibility for any indirect, consequential or special damages.

M12 180° Male

4 Pos – 0.5mm² – PUR – Code A



0.5 mm²



150/250 VDC



4 POS – A



4 A



-40°C



+85°C



CHEMICALS



ABRASION



IP 67



UV

M12 180° Male 4 Pos - 0.5mm² - PUR - Code A

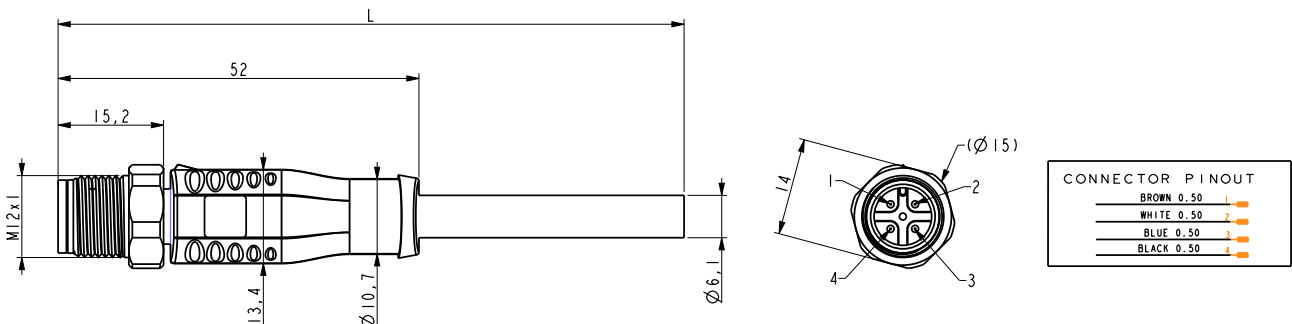
Specifications & qualifications

- ✓ IP 67 - according to IEC 60529:2003
- ✓ Abrasion - ISO 6722-1:2011, technical card KT/242
- ✓ Temperature cycling – IEC 60068-2-14:2009, Test N
- ✓ Cold T° steady state test – IEC 60068-2-1, test Ab: -40°C, 72h
- ✓ Heat T° steady state test – IEC 60068-2-2, test Bb: +85°C, 72h
- ✓ UV / Solar radiation – EN/IEC 60068-2-5:2018, test S
- ✓ Fluid contamination NPK – IEC 60068-2-74 test Xc: 70°C, 93h
- ✓ Nut – Stainless Steel 304
- ✓ PUR Cable 125°C
- ✓ ULV94V0
- ✓ CE
- ✓ Reach
- ✓ RoHS



Technical data

Specific lengths or custom terminations on demand				
Part number	L	Cable	Outer diameter	Cable specifications
0007-0000-01000A	1000 mm	4x0.5mm ²	6.1 ± 0.25	PUR HT class C Black Color According to ISO 6722
0007-0000-02000A	2000 mm	4x0.5mm ²		
0007-0000-05000A	5000 mm	4x0.5mm ²		
0007-0000-10000A	10000 mm	4x0.5mm ²		



The information herein is provided "as is". Please be aware that the device may be damaged, and functionality cannot be assumed, if the limits or the parameters in this datasheet is exceeded. For avoidance, of doubt, Rimaster takes no responsibility in such cases. To the maximum extent permitted by law, Rimaster makes no warranty of suitability, merchantability, fitness for a particular purpose or non-infringement of third party's intellectual property rights. Moreover, Rimaster takes no responsibility for any indirect, consequential or special damages.

M12 90° Female

5 Pos – 0.34mm² – PUR – Code A



0,34 mm²



60VDC



5 POS – A



4 A



-40°C



+85°C



CHEMICALS



ABRASION



IP67



UV

M12 90° Female 5 Pos - 0.34mm² - PUR - Code A

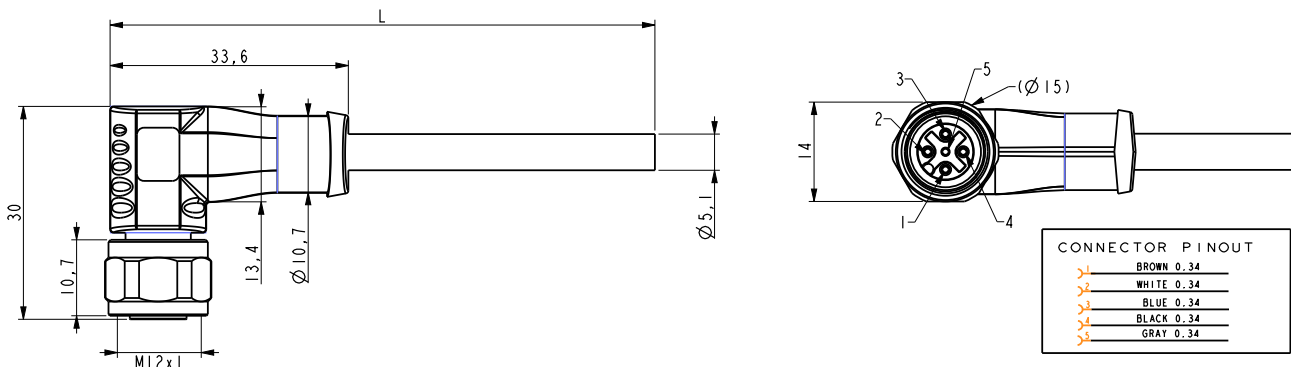
Specifications & qualifications

- ✓ IP 67 - according to IEC 60529:2003
- ✓ Abrasion - ISO 6722-1:2011, technical card KT/242
- ✓ Temperature cycling – IEC 60068-2-14:2009, Test N
- ✓ Cold T° steady state test – IEC 60068-2-1, test Ab: -40°C, 72h
- ✓ Heat T° steady state test – IEC 60068-2-2, test Bb: +85°C, 72h
- ✓ UV / Solar radiation – EN/IEC 60068-2-5:2018, test S
- ✓ Fluid contamination NPK – IEC 60068-2-74 test Xc: 70°C, 93h
- ✓ Nut – Stainless Steel 304
- ✓ PUR Cable 125°C
- ✓ ULV94V0
- ✓ CE
- ✓ Reach
- ✓ RoHS



Technical data

Specific lengths or custom terminations on demand				
Part number	L	Cable	Outer diameter	Cable specifications
0012-0000-01000A	1000 mm	5x0.34mm ²	5.1 ± 0.5	PUR HT class C Black Color According to ISO 6722
0012-0000-02000A	2000 mm	5x0.34mm ²		
0012-0000-05000A	5000 mm	5x0.34mm ²		
0012-0000-10000A	10000 mm	5x0.34mm ²		



The information herein is provided "as is". Please be aware that the device may be damaged, and functionality cannot be assumed, if the limits or the parameters in this datasheet is exceeded. For avoidance, of doubt, Rimaster takes no responsibility in such cases. To the maximum extent permitted by law, Rimaster makes no warranty of suitability, merchantability, fitness for a particular purpose or non-infringement of third party's intellectual property rights. Moreover, Rimaster takes no responsibility for any indirect, consequential or special damages.

M12 180° Female

5 Pos – 0.34mm² – PUR – Code A



0,34 mm²



60VDC



5 POS – A



4 A



-40°C



+85°C



CHEMICALS



ABRASION



IP67



UV

M12 180° Female 5 Pos - 0.34mm² - PUR - Code A

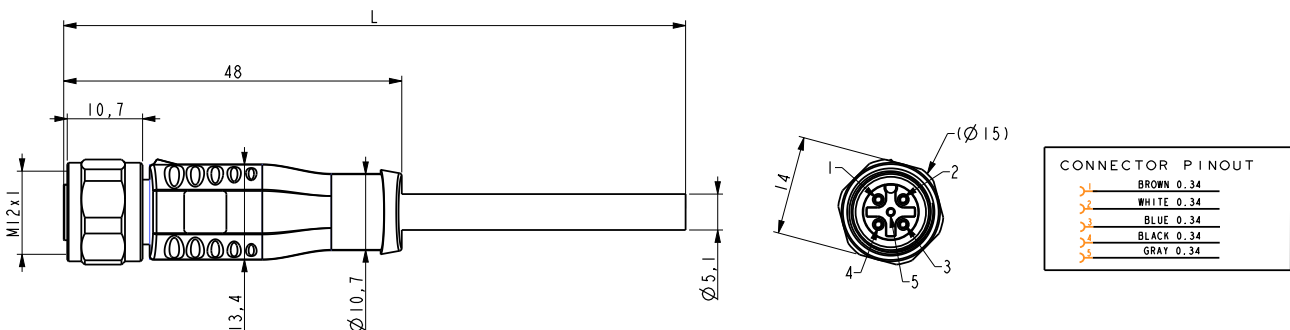
Specifications & qualifications

- ✓ IP 67 - according to IEC 60529:2003
- ✓ Abrasion - ISO 6722-1:2011, technical card KT/242
- ✓ Temperature cycling – IEC 60068-2-14:2009, Test N
- ✓ Cold T° steady state test – IEC 60068-2-1, test Ab: -40°C, 72h
- ✓ Heat T° steady state test – IEC 60068-2-2, test Bb: +85°C, 72h
- ✓ UV / Solar radiation – EN/IEC 60068-2-5:2018, test S
- ✓ Fluid contamination NPK – IEC 60068-2-74 test Xc: 70°C, 93h
- ✓ Nut – Stainless Steel 304
- ✓ PUR Cable 125°C
- ✓ ULV94V0
- ✓ CE
- ✓ Reach
- ✓ RoHS



Technical data

Specific lengths or custom terminations on demand				
Part number	L	Cable	Outer diameter	Cable specifications
0010-0000-01000A	1000 mm	5x0.34mm ²	5.1 ± 0.5	PUR HT class C Black Color According to ISO 6722
0010-0000-02000A	2000 mm	5x0.34mm ²		
0010-0000-05000A	5000 mm	5x0.34mm ²		
0010-0000-10000A	10000 mm	5x0.34mm ²		



The information herein is provided "as is". Please be aware that the device may be damaged, and functionality cannot be assumed, if the limits or the parameters in this datasheet is exceeded. For avoidance, of doubt, Rimaster takes no responsibility in such cases. To the maximum extent permitted by law, Rimaster makes no warranty of suitability, merchantability, fitness for a particular purpose or non-infringement of third party's intellectual property rights. Moreover, Rimaster takes no responsibility for any indirect, consequential or special damages.

M12 90° Male

5 Pos – 0.34mm² – PUR – Code A



0.34 mm²



60VDC



5 POS – A



4 A



-40°C



+85°C



CHEMICALS



ABRASION



IP67



UV

M12 90° Male 5 Pos - 0.34mm² - PUR - Code A

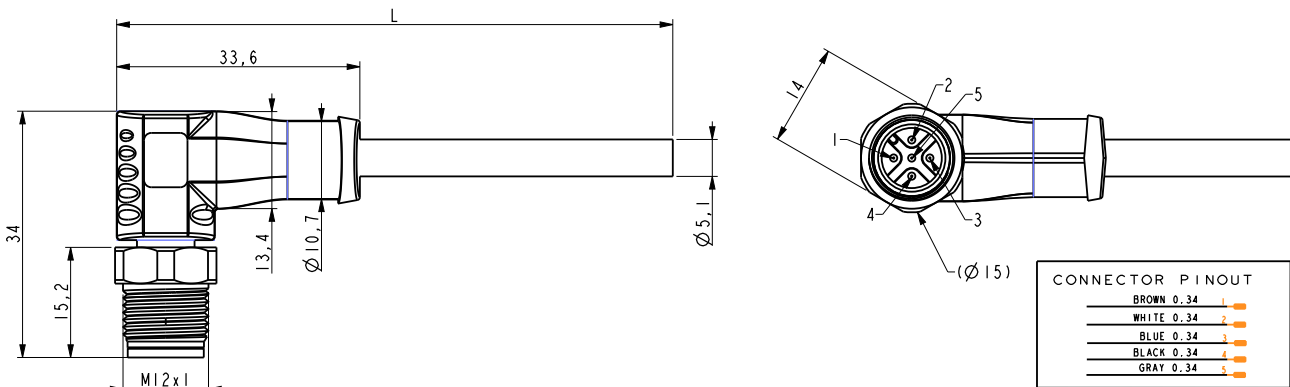
Specifications & qualifications

- ✓ IP 67 - according to IEC 60529:2003
- ✓ Abrasion - ISO 6722-1:2011, technical card KT/242
- ✓ Temperature cycling – IEC 60068-2-14:2009, Test N
- ✓ Cold T° steady state test – IEC 60068-2-1, test Ab: -40°C, 72h
- ✓ Heat T° steady state test – IEC 60068-2-2, test Bb: +85°C, 72h
- ✓ UV / Solar radiation – EN/IEC 60068-2-5:2018, test S
- ✓ Fluid contamination NPK – IEC 60068-2-74 test Xc: 70°C, 93h
- ✓ Nut – Stainless Steel 304
- ✓ PUR Cable 125°C
- ✓ ULV94V0
- ✓ CE
- ✓ Reach
- ✓ RoHS



Technical data

Specific lengths or custom terminations on demand				
Part number	L	Cable	Outer diameter	Cable specifications
0013-0000-01000A	1000 mm	5x0.34mm ²	5.1 ± 0.5	PUR HT class C Black Color According to ISO 6722
0013-0000-02000A	2000 mm	5x0.34mm ²		
0013-0000-05000A	5000 mm	5x0.34mm ²		
0013-0000-10000A	10000 mm	5x0.34mm ²		



The information herein is provided "as is". Please be aware that the device may be damaged, and functionality cannot be assumed, if the limits or the parameters in this datasheet is exceeded. For avoidance, of doubt, Rimaster takes no responsibility in such cases. To the maximum extent permitted by law, Rimaster makes no warranty of suitability, merchantability, fitness for a particular purpose or non-infringement of third party's intellectual property rights. Moreover, Rimaster takes no responsibility for any indirect, consequential or special damages.

M12 180° Male

5 Pos – 0.34mm² – PUR – Code A



0,34 mm²



60VDC



5 POS – A



4 A



-40°C



+85°C



CHEMICALS



ABRASION



IP67



UV

M12 180° Male 5 Pos - 0.34mm² - PUR - Code A

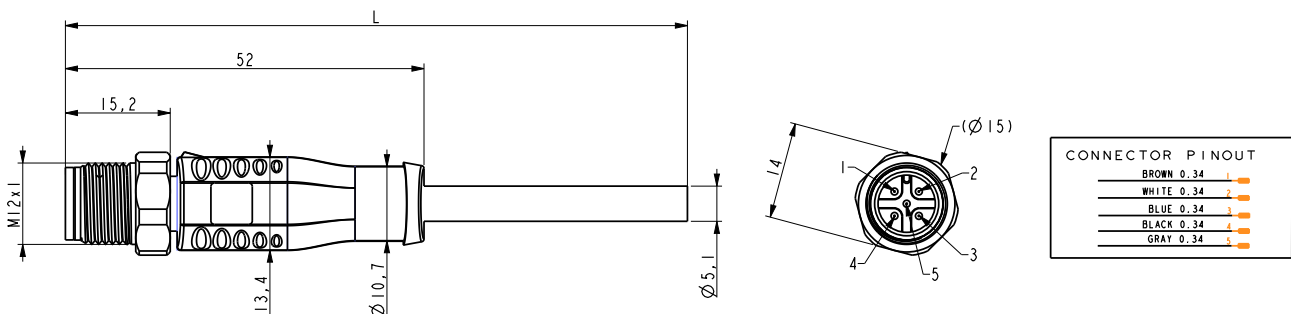
Specifications & qualifications

- ✓ IP 67 - according to IEC 60529:2003
- ✓ Abrasion - ISO 6722-1:2011, technical card KT/242
- ✓ Temperature cycling – IEC 60068-2-14:2009, Test N
- ✓ Cold T° steady state test – IEC 60068-2-1, test Ab: -40°C, 72h
- ✓ Heat T° steady state test – IEC 60068-2-2, test Bb: +85°C, 72h
- ✓ UV / Solar radiation – EN/IEC 60068-2-5:2018, test S
- ✓ Fluid contamination NPK – IEC 60068-2-74 test Xc: 70°C, 93h
- ✓ Nut – Stainless Steel 304
- ✓ PUR Cable 125°C
- ✓ ULV94V0
- ✓ CE
- ✓ Reach
- ✓ RoHS



Technical data

Specific lengths or custom terminations on demand				
Part number	L	Cable	Outer diameter	Cable specifications
0011-0000-01000A	1000 mm	5x0.34mm ²	5.1 ± 0.5	PUR HT class C Black Color According to ISO 6722
0011-0000-02000A	2000 mm	5x0.34mm ²		
0011-0000-05000A	5000 mm	5x0.34mm ²		
0011-0000-10000A	10000 mm	5x0.34mm ²		



The information herein is provided "as is". Please be aware that the device may be damaged, and functionality cannot be assumed, if the limits or the parameters in this datasheet is exceeded. For avoidance, of doubt, Rimaster takes no responsibility in such cases. To the maximum extent permitted by law, Rimaster makes no warranty of suitability, merchantability, fitness for a particular purpose or non-infringement of third party's intellectual property rights. Moreover, Rimaster takes no responsibility for any indirect, consequential or special damages.