

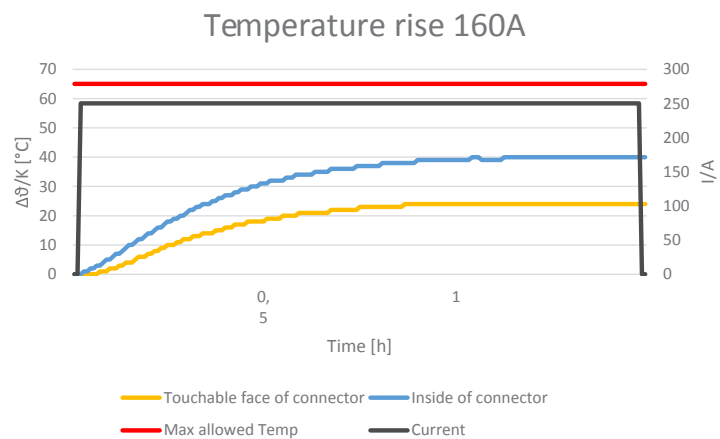
riCon 160A

Power | Connect | Durable

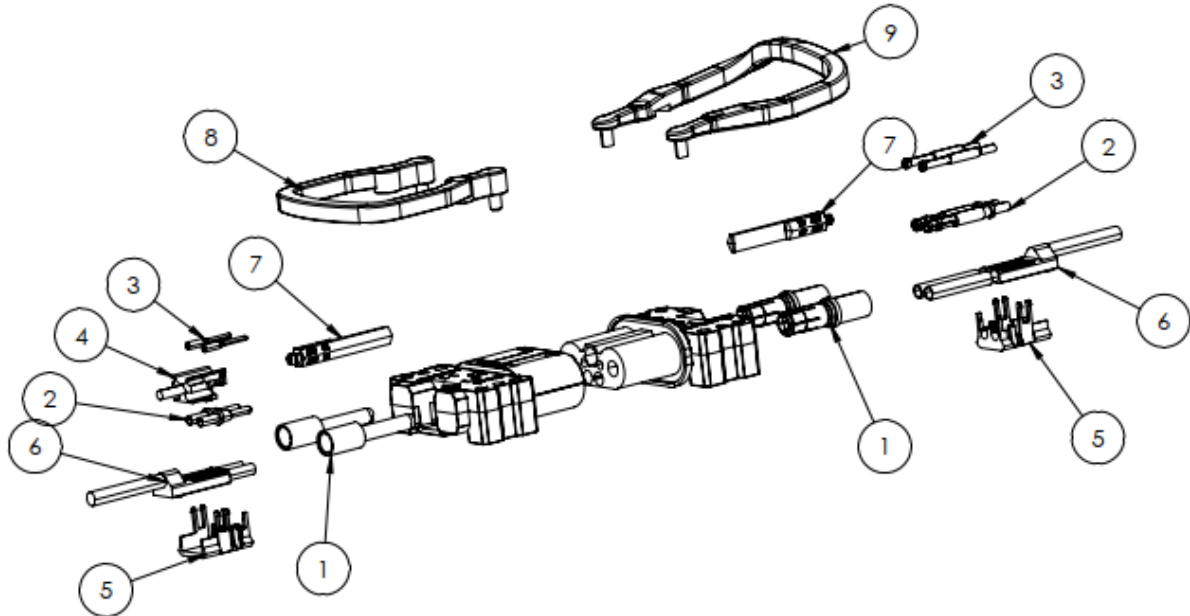
Technical data - riCon 160A

Nominal voltage	150 V DC		
Current rating I	160 A acc. DIN EN1175-A1:2020		
Current rating II	250 A acc. DIN EN1175-A1:2020		
Temperature range	-55°C...+90°C		
Standards	DIN VDE 0623-589		
	DIN EN1175-A1:2020 Current rating I and II		
Material housing	NORM	>PP-GF30<	
	Color	Black	
	Halogen-free	Yes	
	UV resistant	Natural protection	
	Chemical resistance	EN1175-A1:2020	Yes
	Flammability	UL-94	V0 – in product test
	Material contacts	Cu-ETP and minimum 6-micron silver plating.	

Heating of connector



The information herein is provided "as is". Please be aware that the device may be damaged, and functionality cannot be assumed, if the limits or the parameters in this datasheet is exceeded. For avoidance, of doubt, Rimaster takes no responsibility in such cases. To the maximum extent permitted by law, Rimaster makes no warranty of suitability, merchantability, fitness for a particular purpose or non-infringement of third party's intellectual property rights. Moreover, Rimaster takes no responsibility for any indirect, consequential or special damages.



Components - riCon 160A

Item number	Name	160A Plug			160A Socket		
1	Power contact 10 mm ²	With reducing bush			N/A		
	Power contact 16 mm ²	X			N/A		
	Power contact 25 mm ²	X			With reducing bush		
	Power contact 35 mm ²	X			X		
	Power contact 50 mm ²	X	0,5–1 mm ²	2,5 mm ²	X	0,5–1 mm ²	2,5 mm ²
2*	Pilot contacts	RIM74536	RIM85932	RIM85931	RIM74537	RIM85930	RIM85928
3	Auxiliary contacts	RIM74599	RIM85927	RIM85926	RIM74606	RIM85925	RIM85924
4	Insert part	RIM79262			N/A		
5*	Locking part	RIM74540			RIM74540		
6*	Air adapter	RIM74600	RIM82126		RIM74507	RIM82125	
7	Code pin – Grey	See page 6			See page 6		
8	Handle – Low profile	RIM71784			RIM71784		
9	Handle – High profile	RIM23928			RIM23928		
2+3+4+5	Auxiliary and Pilot kit						
5+6	Air adapter kit						
3+4+5	Auxiliary kit						
2+4+5	Pilot kit						

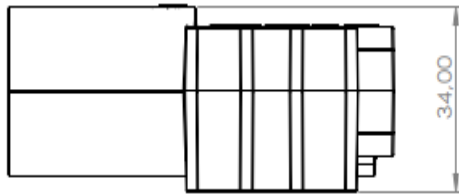
* Locking part is only needed if options are mounted on the connector.

Pilot contacts and air adapter uses the same mountings in the connector and cannot be used together.

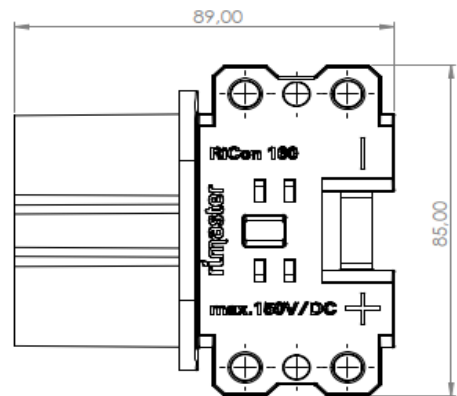
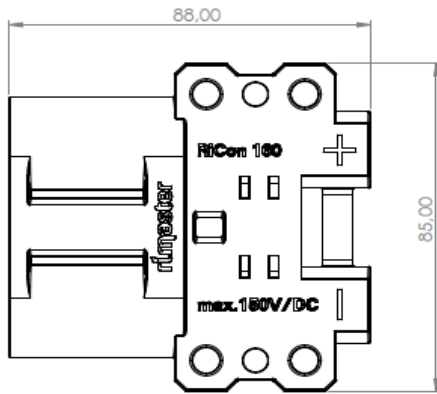
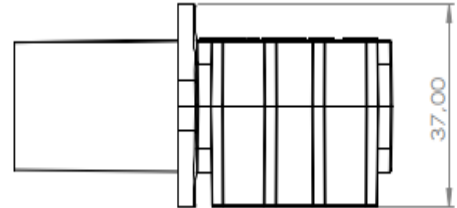
The information herein is provided "as is". Please be aware that the device may be damaged, and functionality cannot be assumed, if the limits or the parameters in this datasheet is exceeded. For avoidance, of doubt, Rimaster takes no responsibility in such cases. To the maximum extent permitted by law, Rimaster makes no warranty of suitability, merchantability, fitness for a particular purpose or non-infringement of third party's intellectual property rights. Moreover, Rimaster takes no responsibility for any indirect, consequential or special damages.

Dimensions - riCon 160A

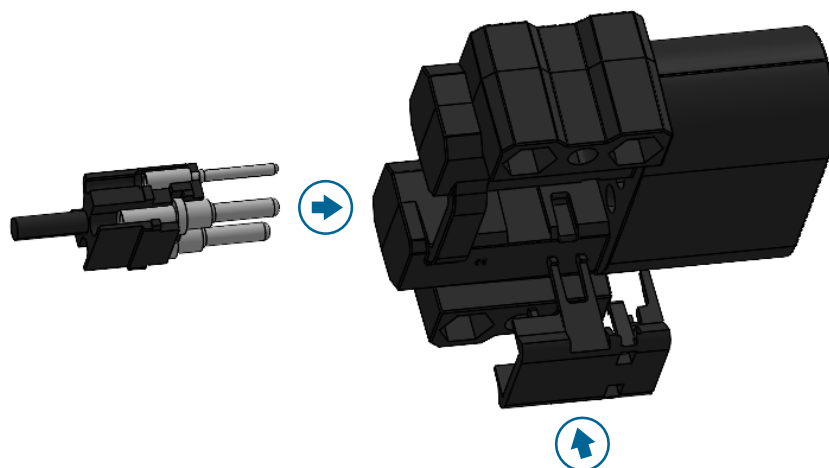
Plug connector



Socket connector



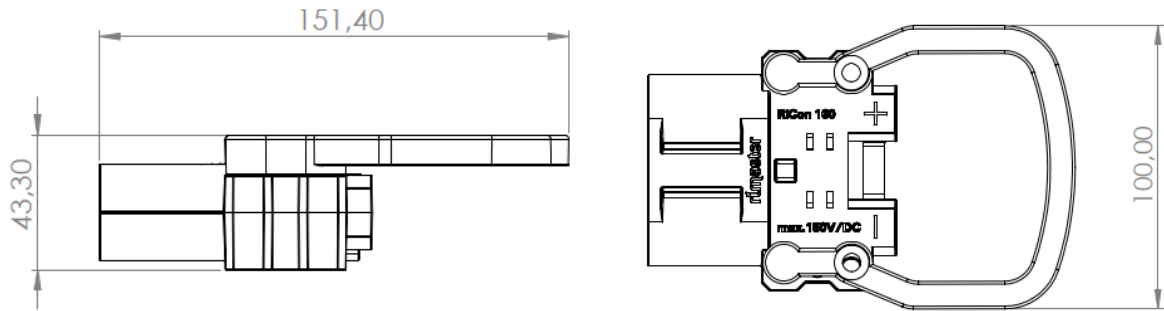
Insert part for fast and easy assembling of auxillary and pilot lines.



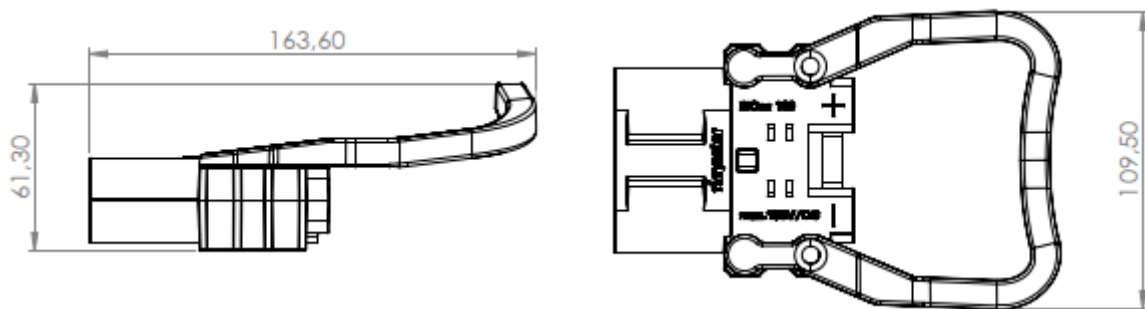
The information herein is provided "as is". Please be aware that the device may be damaged, and functionality cannot be assumed, if the limits or the parameters in this datasheet is exceeded. For avoidance, of doubt, Rimaster takes no responsibility in such cases. To the maximum extent permitted by law, Rimaster makes no warranty of suitability, merchantability, fitness for a particular purpose or non-infringement of third party's intellectual property rights. Moreover, Rimaster takes no responsibility for any indirect, consequential or special damages.

Dimensions - riCon 160A

Low profile handle

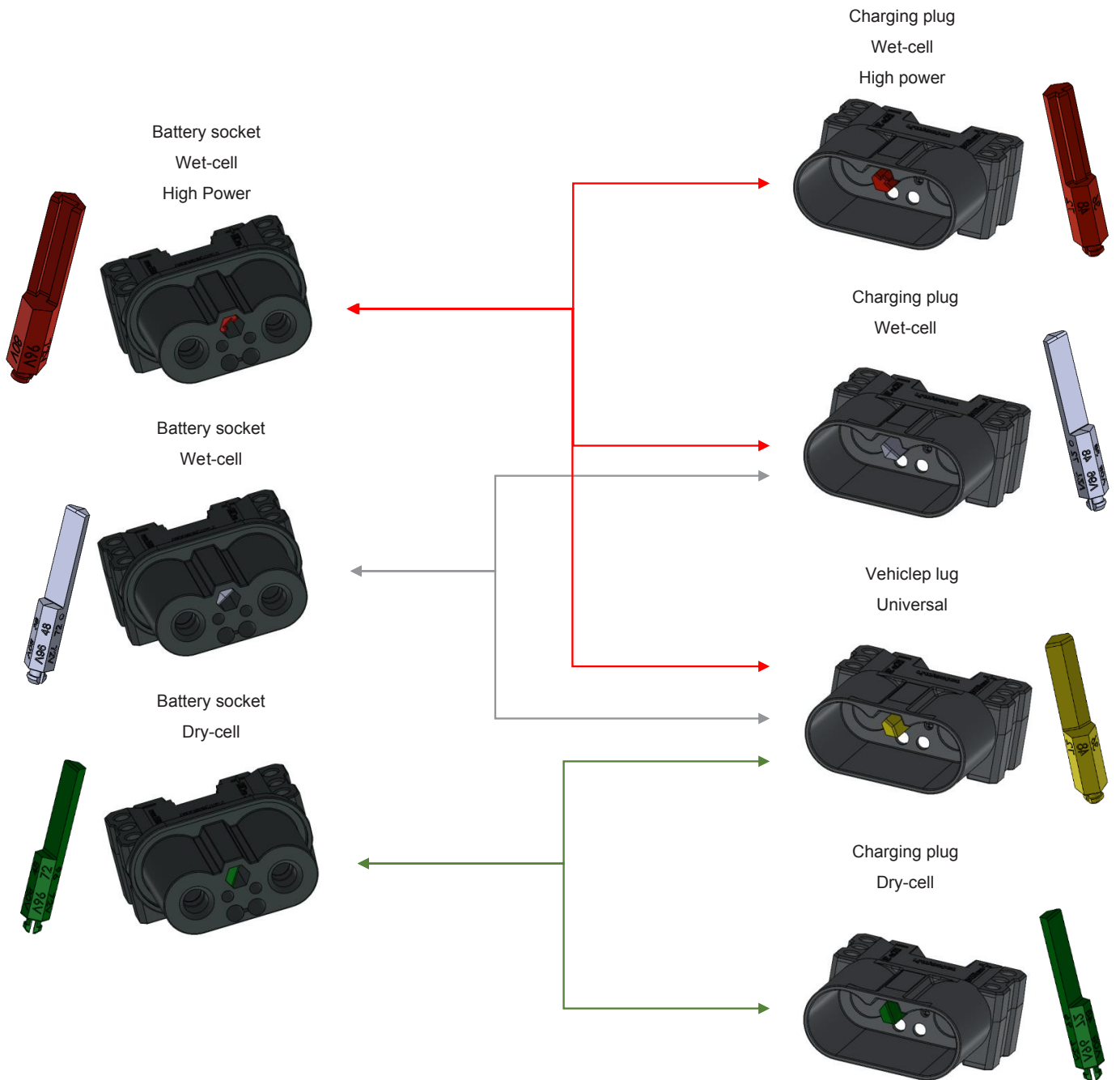


High profile handle



The information herein is provided "as is". Please be aware that the device may be damaged, and functionality cannot be assumed, if the limits or the parameters in this datasheet is exceeded. For avoidance, of doubt, Rimaster takes no responsibility in such cases. To the maximum extent permitted by law, Rimaster makes no warranty of suitability, merchantability, fitness for a particular purpose or non-infringement of third party's intellectual property rights. Moreover, Rimaster takes no responsibility for any indirect, consequential or special damages.

Code pins - riCon 160A



The information herein is provided "as is". Please be aware that the device may be damaged, and functionality cannot be assumed, if the limits or the parameters in this datasheet is exceeded. For avoidance, of doubt, Rimaster takes no responsibility in such cases. To the maximum extent permitted by law, Rimaster makes no warranty of suitability, merchantability, fitness for a particular purpose or non-infringement of third party's intellectual property rights. Moreover, Rimaster takes no responsibility for any indirect, consequential or special damages.

riCon is available and verified in the following cable options:

Standard TPE isolation according to EN60332-1-2 (class V0)

Dual battery cable PVC Red/Blue

Standard HN01N2-D and HN001N2-E

The information herein is provided "as is". Please be aware that the device may be damaged, and functionality cannot be assumed, if the limits or the parameters in this datasheet is exceeded. For avoidance, of doubt, Rimaster takes no responsibility in such cases. To the maximum extent permitted by law, Rimaster makes no warranty of suitability, merchantability, fitness for a particular purpose or non-infringement of third party's intellectual property rights. Moreover, Rimaster takes no responsibility for any indirect, consequential or special damages.