

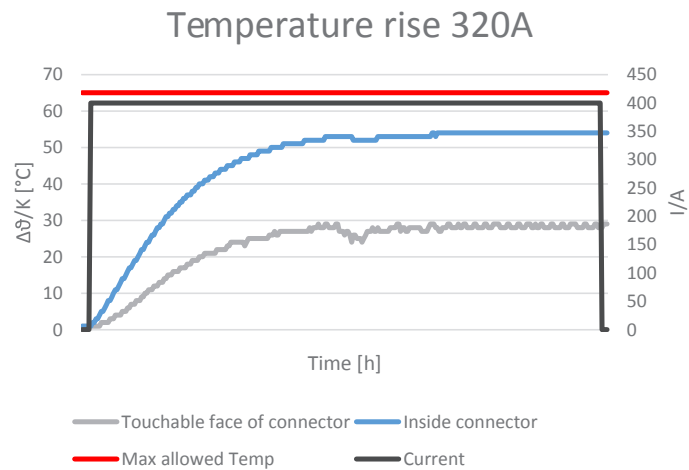
# riCon 320A

Power | Connect | Durable

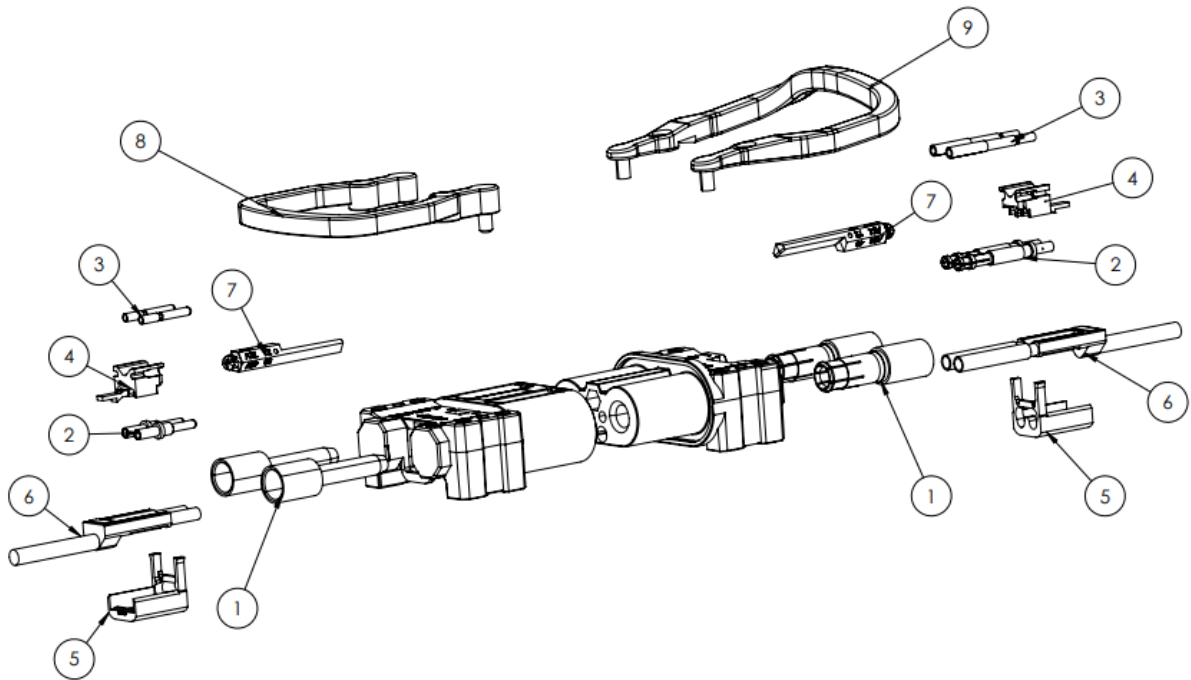
## Technical data - riCon 320A

Nominal voltage	150 V DC		
Current rating I	320 A acc. DIN EN1175-A1:2020		
Current rating II	400 A acc. DIN EN1175-A1:2020		
Temperature range	-55°C...+90°C		
Standards	DIN VDE 0623-589		
	DIN EN1175-A1:2020 Current rating I and II		
Material housing	NORM	>PP-GF30<	
	Color	Black	
	Halogen-free	Yes	
	UV resistant	Natural protection	
	Chemical resistance	EN1175-A1:2020	Yes
	Flammability	UL-94	V0 – in product test
	Material contacts	Cu-ETP and minimum 6-micron silver plating.	

### Heating of connector



The information herein is provided "as is". Please be aware that the device may be damaged, and functionality cannot be assumed, if the limits or the parameters in this datasheet is exceeded. For avoidance, of doubt, Rimaster takes no responsibility in such cases. To the maximum extent permitted by law, Rimaster makes no warranty of suitability, merchantability, fitness for a particular purpose or non-infringement of third party's intellectual property rights. Moreover, Rimaster takes no responsibility for any indirect, consequential or special damages.



## Components - riCon 320A

Item number	Name	320A Plug			320A Socket		
1	Power contact 25 mm <sup>2</sup>	X			N/A		
	Power contact 35 mm <sup>2</sup>	X			With reducing bush		
	Power contact 50 mm <sup>2</sup>	X			X		
	Power contact 70 mm <sup>2</sup>	X			X		
	Power contact 95 mm <sup>2</sup>	X	0,5–1 mm <sup>2</sup>	2,5 mm <sup>2</sup>	X	0,5–1 mm <sup>2</sup>	2,5 mm <sup>2</sup>
2*	Pilot contacts	RIM74537	RIM85940	RIM85939	RIM74536	RIM85938	RIM85937
3	Auxiliary contacts	RIM74534	RIM85936	RIM85935	RIM74535	RIM85934	RIM85933
4	Insert part	RIM79261			N/A		
5*	Locking part	RIM74539			RIM74539		
6*	Air adapter	RIM74532	RIM81706		RIM74533	RIM81707	
7	Code pin	See page 6			See page 6		
8	Handle – Low profile	RIM71784			RIM71784		
9	Handle – High profile	RIM23928			RIM23928		
2+3+4+5	Auxiliary and Pilot kit						
5+6	Air adapter kit						
3+4+5	Auxiliary kit						
2+4+5	Pilot kit						

\* Locking part is only needed if options are mounted on the connector.

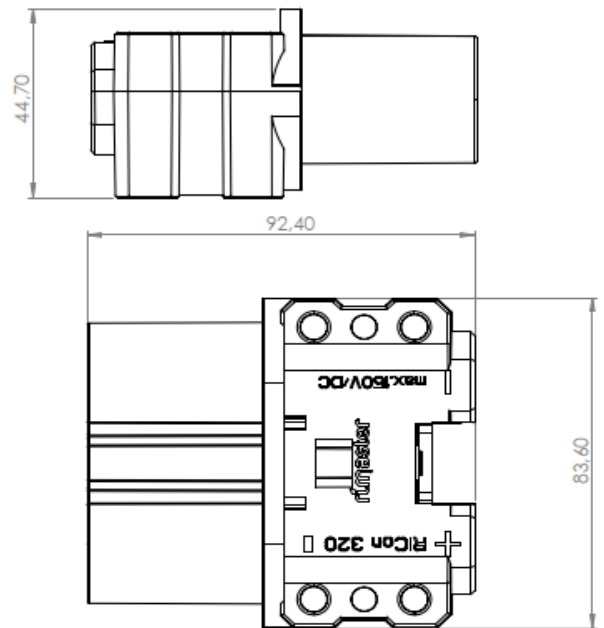
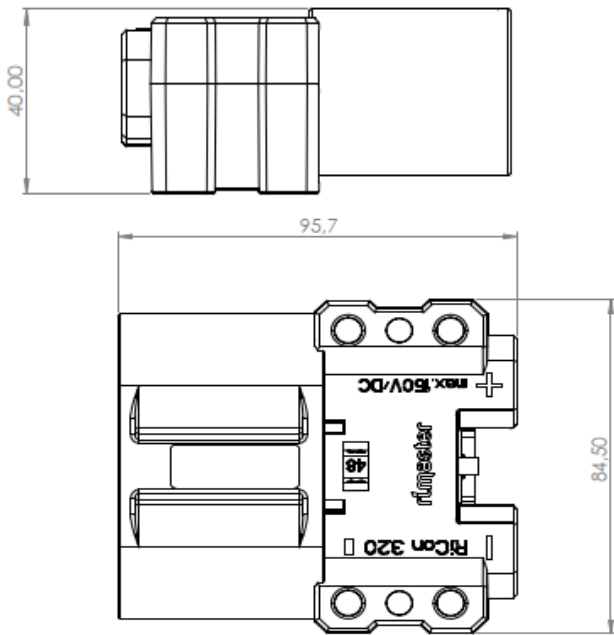
Pilot contacts and air adapter uses the same mountings in the connector and cannot be used together.

*The information herein is provided "as is". Please be aware that the device may be damaged, and functionality cannot be assumed, if the limits or the parameters in this datasheet is exceeded. For avoidance, of doubt, Rimaster takes no responsibility in such cases. To the maximum extent permitted by law, Rimaster makes no warranty of suitability, merchantability, fitness for a particular purpose or non-infringement of third party's intellectual property rights. Moreover, Rimaster takes no responsibility for any indirect, consequential or special damages.*

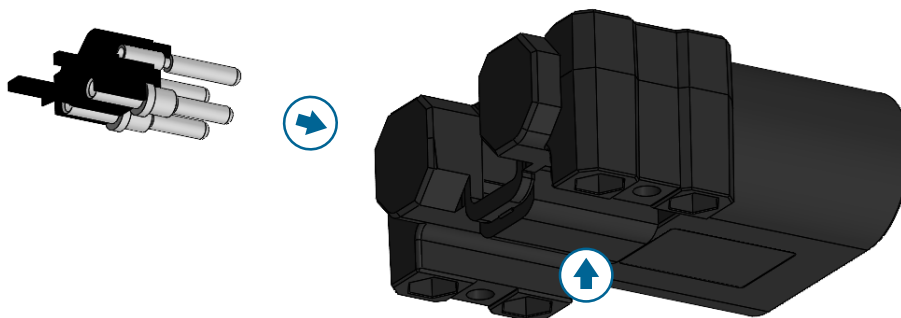
## Dimensions - riCon 320A

Plug connector

Socket connector



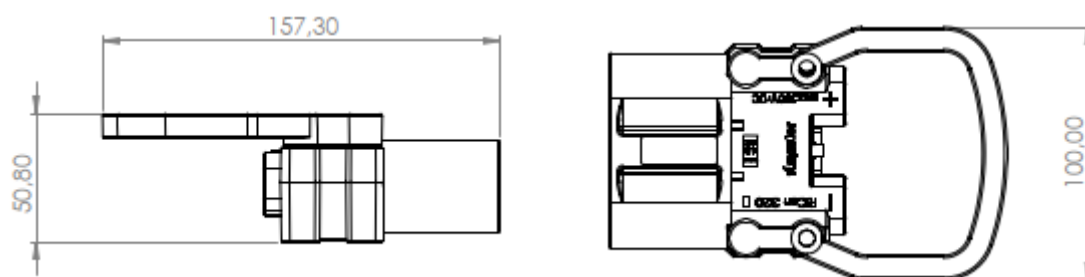
Insert part for fast and easy assembling of auxillary and pilot lines.



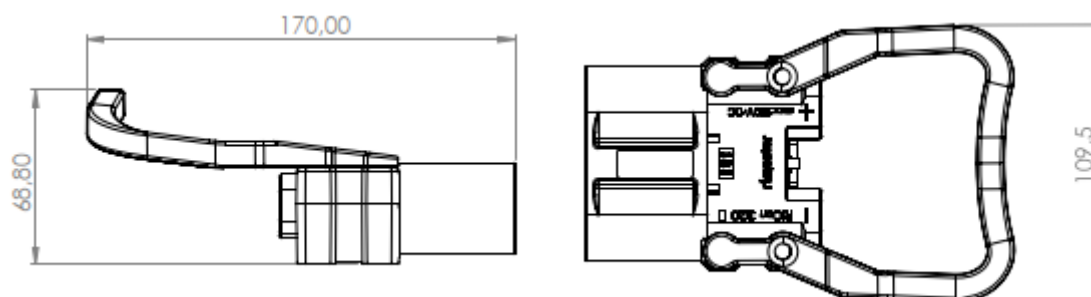
*The information herein is provided "as is". Please be aware that the device may be damaged, and functionality cannot be assumed, if the limits or the parameters in this datasheet is exceeded. For avoidance, of doubt, Rimaster takes no responsibility in such cases. To the maximum extent permitted by law, Rimaster makes no warranty of suitability, merchantability, fitness for a particular purpose or non-infringement of third party's intellectual property rights. Moreover, Rimaster takes no responsibility for any indirect, consequential or special damages.*

## Dimensions - riCon 320A

Low profile handle

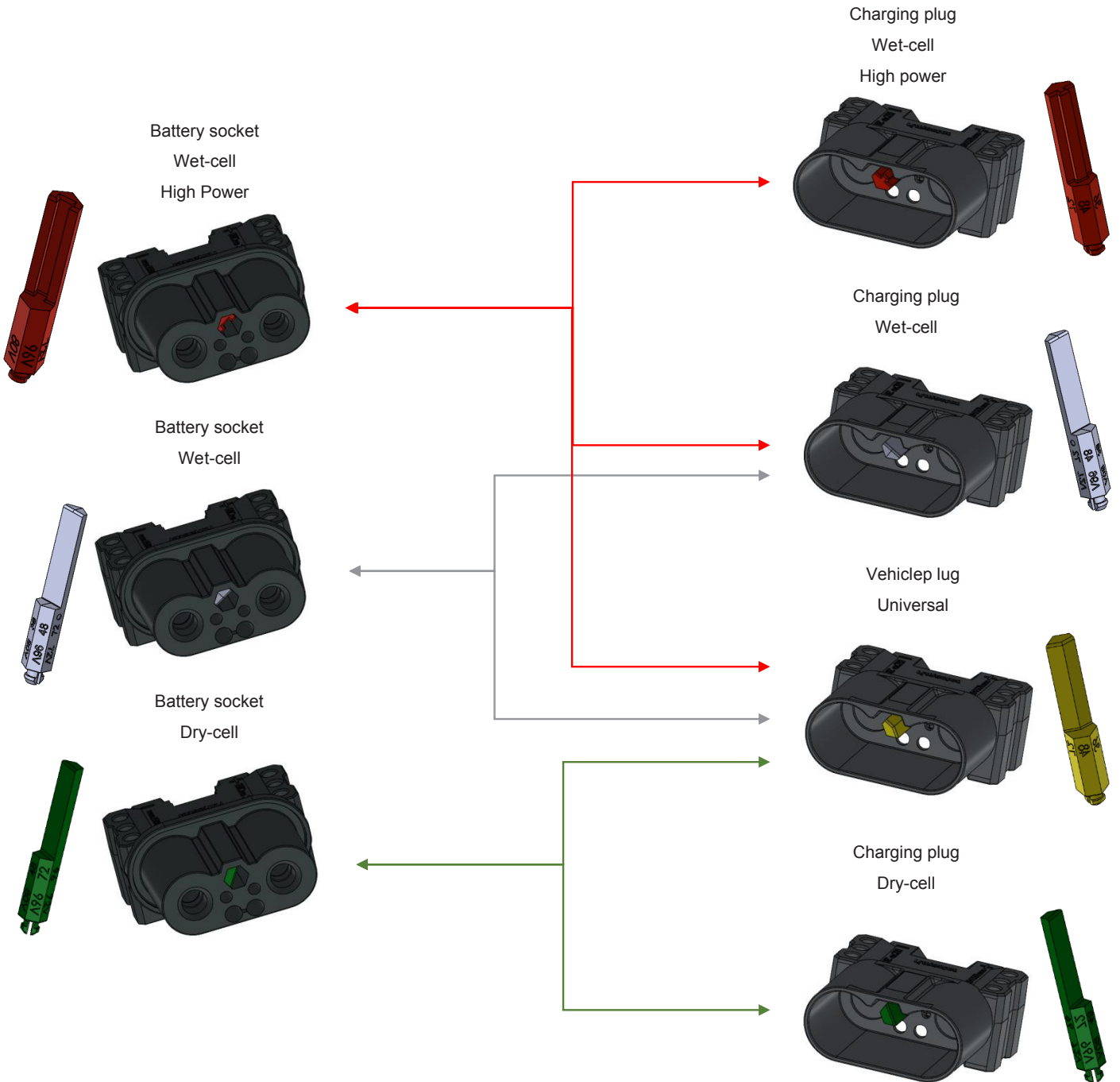


High profile handle



*The information herein is provided "as is". Please be aware that the device may be damaged, and functionality cannot be assumed, if the limits or the parameters in this datasheet is exceeded. For avoidance, of doubt, Rimaster takes no responsibility in such cases. To the maximum extent permitted by law, Rimaster makes no warranty of suitability, merchantability, fitness for a particular purpose or non-infringement of third party's intellectual property rights. Moreover, Rimaster takes no responsibility for any indirect, consequential or special damages.*

## Code pins - riCon 320A



*The information herein is provided "as is". Please be aware that the device may be damaged, and functionality cannot be assumed, if the limits or the parameters in this datasheet is exceeded. For avoidance, of doubt, Rimaster takes no responsibility in such cases. To the maximum extent permitted by law, Rimaster makes no warranty of suitability, merchantability, fitness for a particular purpose or non-infringement of third party's intellectual property rights. Moreover, Rimaster takes no responsibility for any indirect, consequential or special damages.*

**riCon is available and verified in the following cable options:**

Standard TPE isolation according to EN60332-1-2 (class V0)

Dual battery cable PVC Red/Blue

Standard HN01N2-D and HN001N2-E

*The information herein is provided "as is". Please be aware that the device may be damaged, and functionality cannot be assumed, if the limits or the parameters in this datasheet is exceeded. For avoidance, of doubt, Rimaster takes no responsibility in such cases. To the maximum extent permitted by law, Rimaster makes no warranty of suitability, merchantability, fitness for a particular purpose or non-infringement of third party's intellectual property rights. Moreover, Rimaster takes no responsibility for any indirect, consequential or special damages.*