

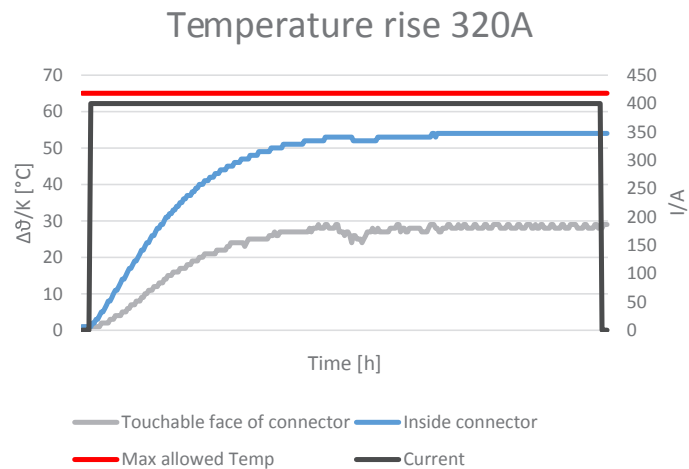
# riCon 320A

Power | Connect | Durable

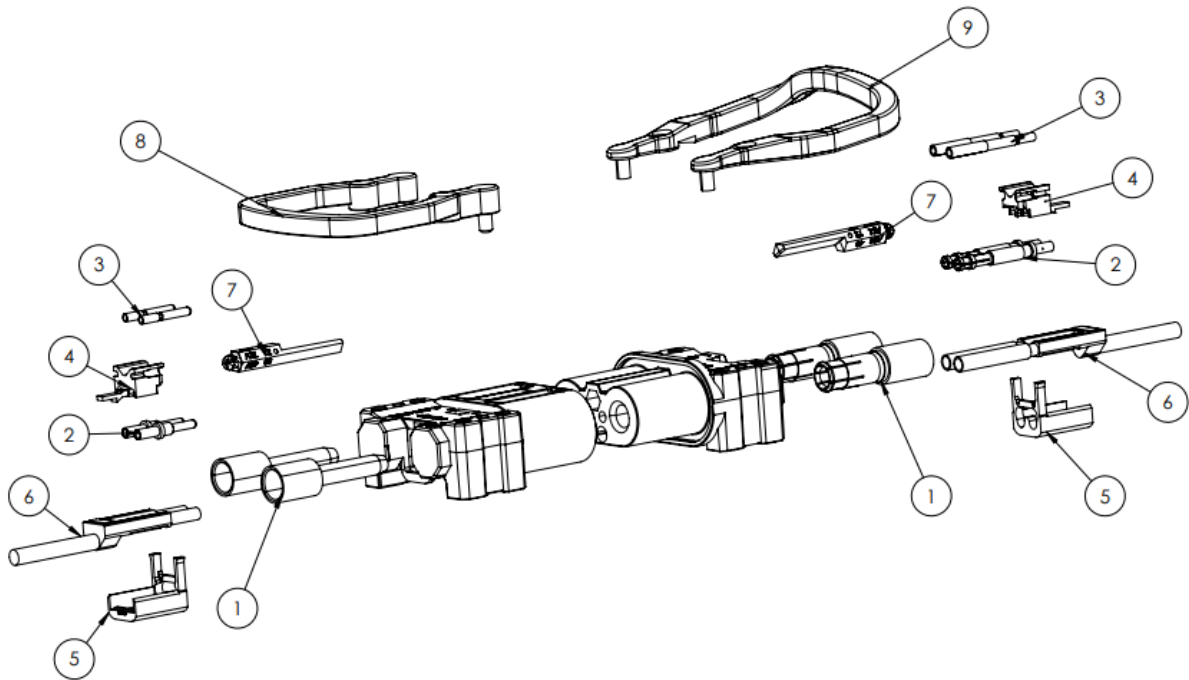
## Technical data - riCon 320A

|                   |   |                    |     |  |
|-------------------|---|--------------------|-----|--|
| Nominal voltage   | 150 V DC                                    |                    |     |  |
| Current rating I  | 320 A acc. DIN EN1175-A1:2020               |                    |     |  |
| Current rating II | 400 A acc. DIN EN1175-A1:2020               |                    |     |  |
| Temperature range | -55°C...+105°C                              |                    |     |  |
| Standards         | DIN VDE 0623-589                            |                    |     |  |
|                   | DIN EN1175-A1:2020 Current rating I and II  |                    |     |  |
|                   | UL1977                                      |                    |     |  |
|                   | CSA C22.2 No. 182.3                         |                    |     |  |
| Material housing  | NORM  | >PP-GF30<          |     |  |
|                   | Color                                       | Black              |     |  |
|                   | Halogen-free                                | Yes                |     |  |
|                   | UV resistant                                | Natural protection |     |  |
|                   | Chemical resistance                         | EN1175-A1:2020     | Yes |  |
|                   | Flammability                                | UL-94              | HB  |  |
|                   | UL E-file                                   | E544979            |     |  |
| Material contacts | Cu-ETP and minimum 6-micron silver plating. |                    |     |  |

### Heating of connector



The information herein is provided "as is". Please be aware that the device may be damaged, and functionality cannot be assumed, if the limits or the parameters in this datasheet is exceeded. For avoidance, of doubt, Rimaster takes no responsibility in such cases. To the maximum extent permitted by law, Rimaster makes no warranty of suitability, merchantability, fitness for a particular purpose or non-infringement of third party's intellectual property rights. Moreover, Rimaster takes no responsibility for any indirect, consequential or special damages.



## Components - riCon 320A

| Item number | Name                             | 320A Plug  |                       |                     | 320A Socket        |                       |                     |
|-------------|----------------------------------|------------|-----------------------|---------------------|--------------------|-----------------------|---------------------|
| 1           | Power contact 25 mm <sup>2</sup> | X          |                       |                     | N/A                |                       |                     |
|             | Power contact 35 mm <sup>2</sup> | X          |                       |                     | With reducing bush |                       |                     |
|             | Power contact 50 mm <sup>2</sup> | X          |                       |                     | X                  |                       |                     |
|             | Power contact 70 mm <sup>2</sup> | X          |                       |                     | X                  |                       |                     |
|             | Power contact 95 mm <sup>2</sup> | X          | 0,5–1 mm <sup>2</sup> | 2,5 mm <sup>2</sup> | X                  | 0,5–1 mm <sup>2</sup> | 2,5 mm <sup>2</sup> |
| 2*          | Pilot contacts                   |            | RIM85940              | RIM85939            |                    | RIM85938              | RIM85937            |
| 3           | Auxiliary contacts               |            | RIM85936              | RIM85935            |                    | RIM85934              | RIM85933            |
| 4           | Insert part                      | RIM79261   |                       |                     | RIM79261           |                       |                     |
| 5*          | Locking part                     | RIM74539   |                       |                     | RIM74539           |                       |                     |
| 6*          | Air adapter                      | RIM81706   |                       |                     | RIM81707           |                       |                     |
| 7           | Code pin                         | See page 6 |                       |                     | See page 6         |                       |                     |
| 8           | Handle – Low profile             | RIM71784   |                       |                     | RIM71784           |                       |                     |
| 9           | Handle – High profile            | RIM23928   |                       |                     | RIM23928           |                       |                     |
| 2+3+4+5     | Auxiliary and Pilot kit          |            |                       |                     |                    |                       |                     |
| 5+6         | Air adapter kit                  | RES00023   |                       |                     | RES00028           |                       |                     |
| 3+4+5       | Auxiliary kit                    | RES00021   |                       |                     | RES00026           |                       |                     |
| 2+4+5       | Pilot kit                        | RES00022   |                       |                     | RES00027           |                       |                     |

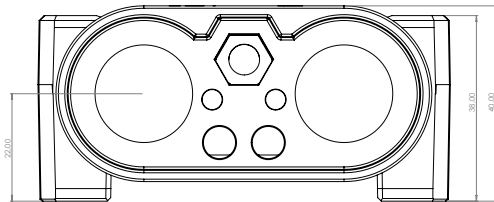
\* Locking part is only needed if options are mounted on the connector.

Pilot contacts and air adapter uses the same mountings in the connector and cannot be used together.

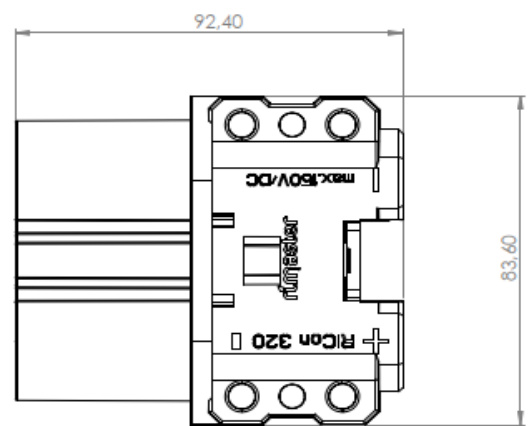
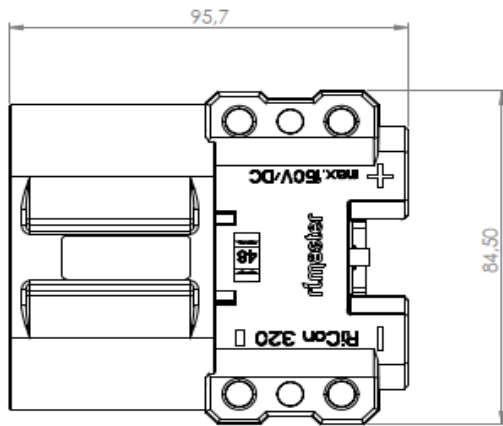
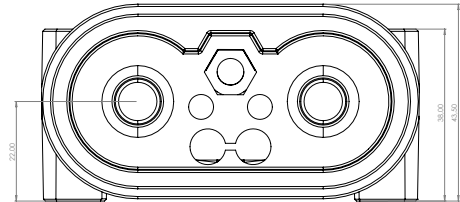
*The information herein is provided "as is". Please be aware that the device may be damaged, and functionality cannot be assumed, if the limits or the parameters in this datasheet is exceeded. For avoidance, of doubt, Rimaster takes no responsibility in such cases. To the maximum extent permitted by law, Rimaster makes no warranty of suitability, merchantability, fitness for a particular purpose or non-infringement of third party's intellectual property rights. Moreover, Rimaster takes no responsibility for any indirect, consequential or special damages.*

## Dimensions - riCon 320A

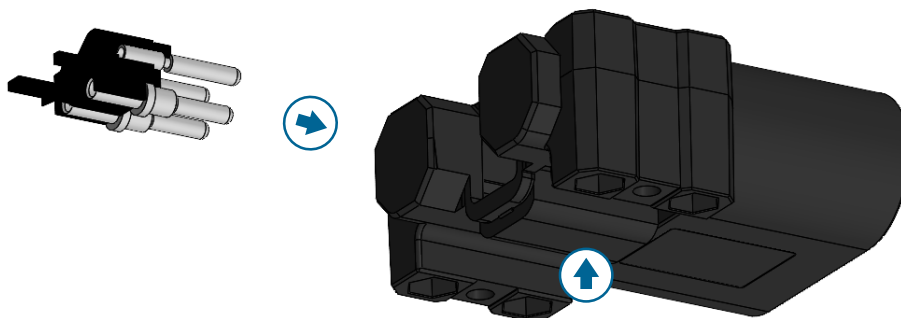
Plug connector



Socket connector



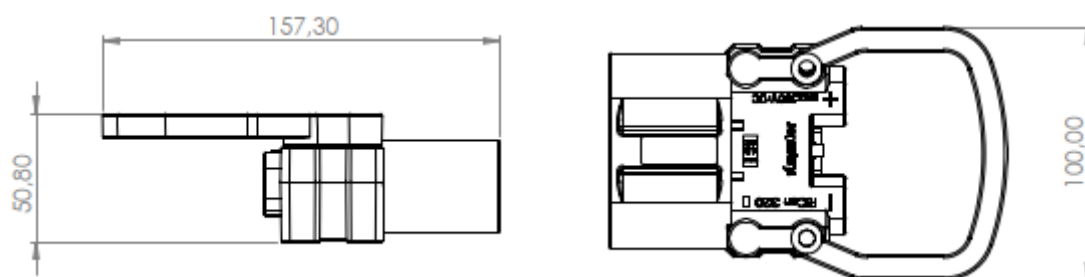
Insert part for fast and easy assembling of auxillary and pilot lines.



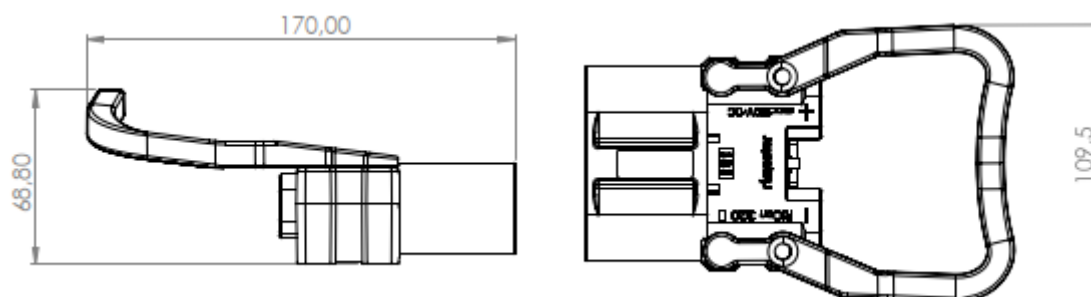
*The information herein is provided "as is". Please be aware that the device may be damaged, and functionality cannot be assumed, if the limits or the parameters in this datasheet is exceeded. For avoidance, of doubt, Rimaster takes no responsibility in such cases. To the maximum extent permitted by law, Rimaster makes no warranty of suitability, merchantability, fitness for a particular purpose or non-infringement of third party's intellectual property rights. Moreover, Rimaster takes no responsibility for any indirect, consequential or special damages.*

## Dimensions - riCon 320A

Low profile handle



High profile handle



*The information herein is provided "as is". Please be aware that the device may be damaged, and functionality cannot be assumed, if the limits or the parameters in this datasheet is exceeded. For avoidance, of doubt, Rimaster takes no responsibility in such cases. To the maximum extent permitted by law, Rimaster makes no warranty of suitability, merchantability, fitness for a particular purpose or non-infringement of third party's intellectual property rights. Moreover, Rimaster takes no responsibility for any indirect, consequential or special damages.*



**riCon is available and verified in the following cable options:**

Standard TPE isolation according to EN60332-1-2 (class V0)

Dual battery cable PVC Red/Black

Standard HN01N2-D and HN001N2-E

*The information herein is provided "as is". Please be aware that the device may be damaged, and functionality cannot be assumed, if the limits or the parameters in this datasheet is exceeded. For avoidance, of doubt, Rimaster takes no responsibility in such cases. To the maximum extent permitted by law, Rimaster makes no warranty of suitability, merchantability, fitness for a particular purpose or non-infringement of third party's intellectual property rights. Moreover, Rimaster takes no responsibility for any indirect, consequential or special damages.*