

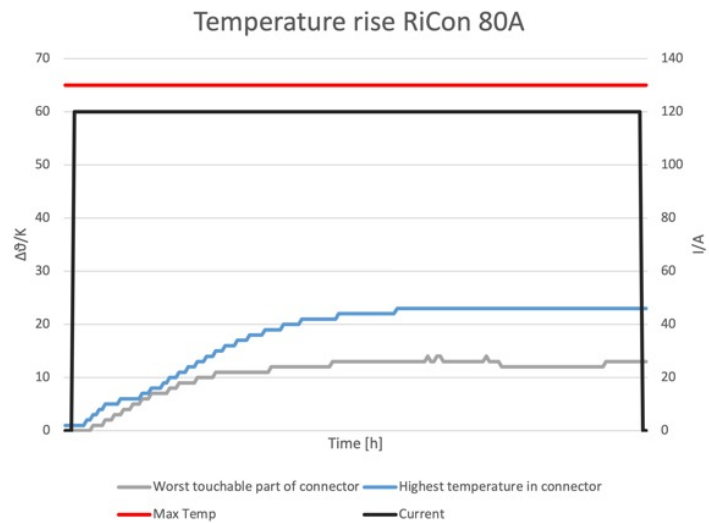
# riCon 80A

Power | Connect | Durable

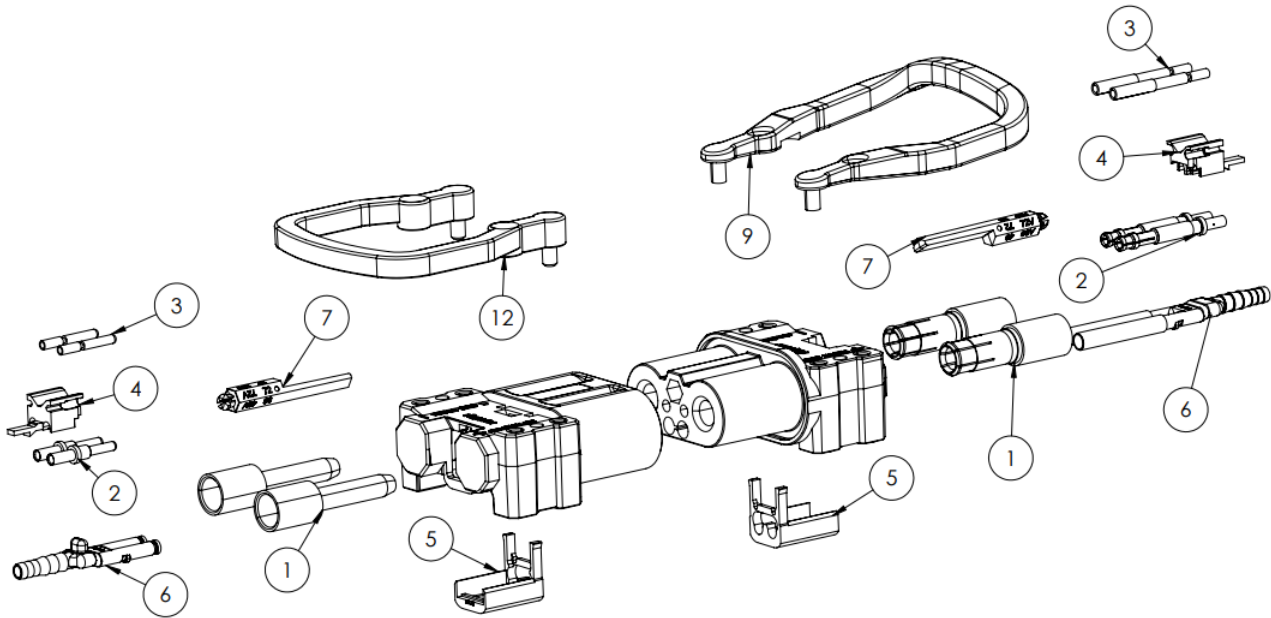
## Technical data - riCon 80A

Nominal voltage	150 V DC			
Current rating I	80 A acc. DIN EN1175-A1:2020			
Current rating II	120 A acc. DIN EN1175-A1:2020			
Temperature range	-55°C...+105°C			
Standards	DIN VDE 0623-589			
	DIN EN1175-A1:2020 Current rating I and II			
	UL1977			
	CSA C22.2 No. 182.3			
Material housing	NORM	>PP-GF30<		
	Color	Black		
	Halogen-free	Yes		
	UV resistant	Natural protection		
	Chemical resistance	EN1175-A1:2020	Yes	
	Flammability	UL-94	HB	
	UL E-file	E544979		
	Material contacts	Cu-ETP and minimum 6-micron silver plating.		

### Heating of connector



The information herein is provided "as is". Please be aware that the device may be damaged, and functionality cannot be assumed, if the limits or the parameters in this datasheet is exceeded. For avoidance, of doubt, Rimaster takes no responsibility in such cases. To the maximum extent permitted by law, Rimaster makes no warranty of suitability, merchantability, fitness for a particular purpose or non-infringement of third party's intellectual property rights. Moreover, Rimaster takes no responsibility for any indirect, consequential or special damages.



## Components - riCon 80A

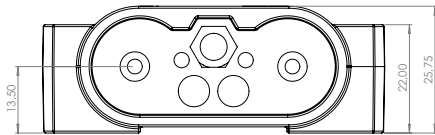
Item number	Name	80A Plug			80A Socket		
1	Power contact 10 mm <sup>2</sup>	With reducing bush			X		
	Power contact 16 mm <sup>2</sup>	X			With reducing bush		
	Power contact 25 mm <sup>2</sup>	X	0,5–1 mm <sup>2</sup>	2,5 mm <sup>2</sup>	X	0,5–1 mm <sup>2</sup>	2,5 mm <sup>2</sup>
2*	Pilot contacts		RIM85923	RIM85922		RIM85921	RIM85920
3	Auxiliary contacts		RIM85919	RIM85918		RIM85917	RIM85916
4	Insert part	RIM79263			RIM79263		
5*	Locking part	RIM74541			RIM74541		
6*	Air adapter	RIM81297			RIM81295		
7	Code pin	See page 6			See page 6		
8	Handle – Low profile	RIM71785			RIM71785		
9	Handle – High profile	N/A			N/A		
2+3+4+5	Auxiliary and Pilot kit						
5+6	Air adapter kit	RES00003			RES00008		
3+4+5	Auxiliary kit	RES00001			RES00006		
2+4+5	Pilot kit	RES00002			RES00007		

\* Locking part is only needed if options are mounted on the connector.  
Pilot contacts and air adapter uses the same mountings in the connector and cannot be used together.

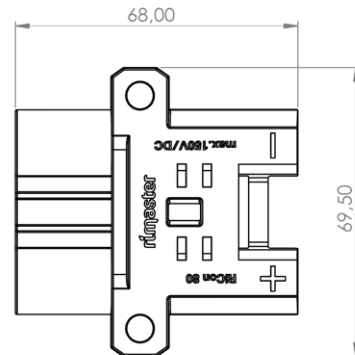
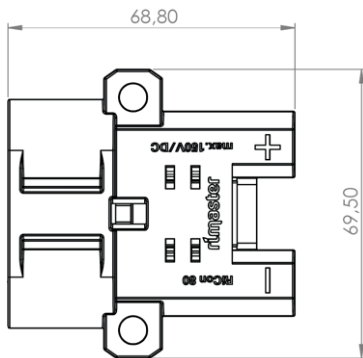
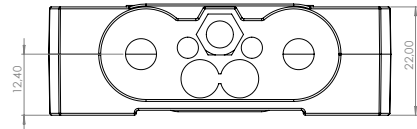
The information herein is provided "as is". Please be aware that the device may be damaged, and functionality cannot be assumed, if the limits or the parameters in this datasheet is exceeded. For avoidance, of doubt, Rimaster takes no responsibility in such cases. To the maximum extent permitted by law, Rimaster makes no warranty of suitability, merchantability, fitness for a particular purpose or non-infringement of third party's intellectual property rights. Moreover, Rimaster takes no responsibility for any indirect, consequential or special damages.

## Dimensions - riCon 80A

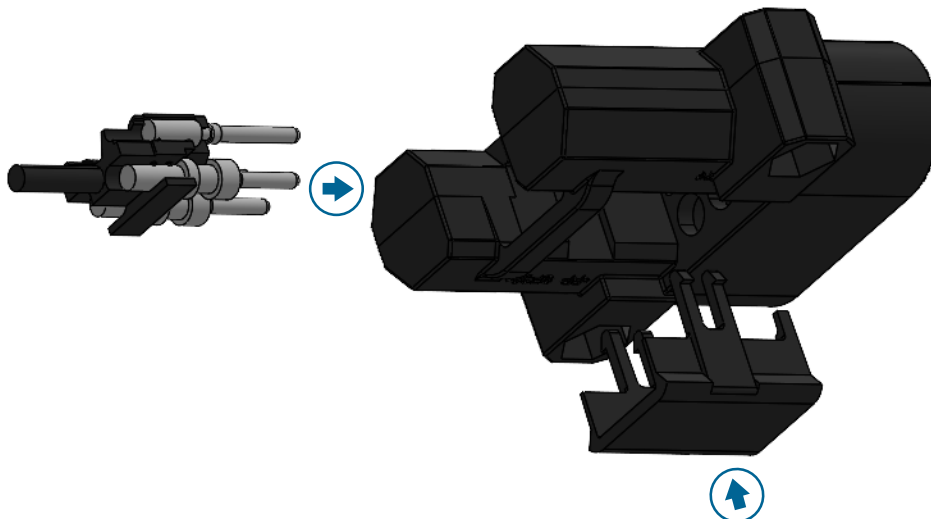
Plug connector



Socket connector



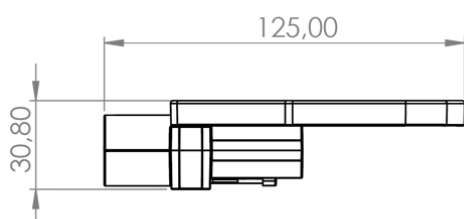
Insert part for fast and easy assembling of auxillary and pilot lines.



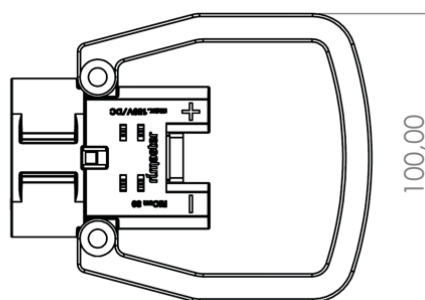
*The information herein is provided "as is". Please be aware that the device may be damaged, and functionality cannot be assumed, if the limits or the parameters in this datasheet is exceeded. For avoidance, of doubt, Rimaster takes no responsibility in such cases. To the maximum extent permitted by law, Rimaster makes no warranty of suitability, merchantability, fitness for a particular purpose or non-infringement of third party's intellectual property rights. Moreover, Rimaster takes no responsibility for any indirect, consequential or special damages.*

## Dimensions - riCon 80A

Plug connector

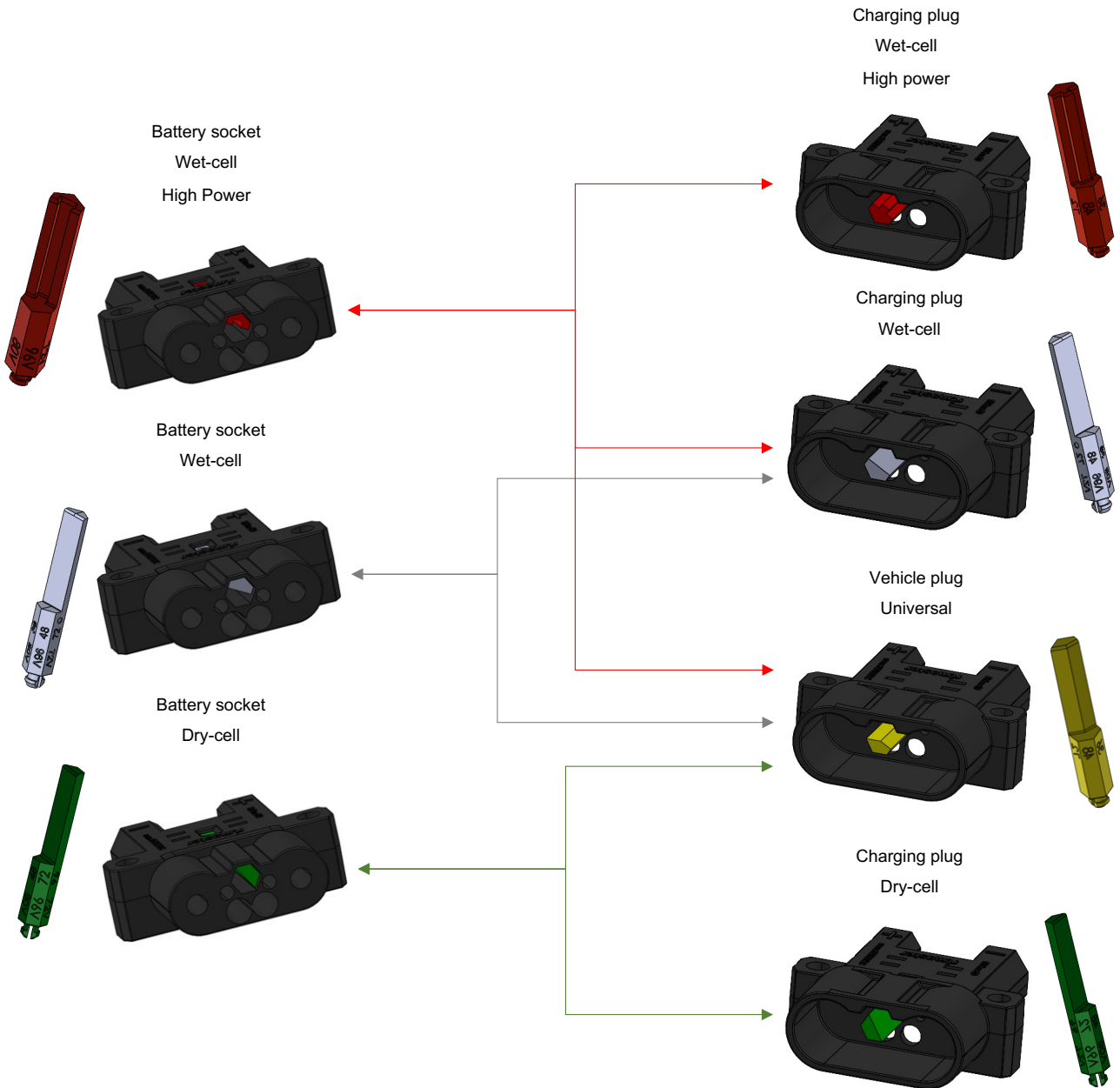


Low profile handle



*The information herein is provided "as is". Please be aware that the device may be damaged, and functionality cannot be assumed, if the limits or the parameters in this datasheet is exceeded. For avoidance, of doubt, Rimaster takes no responsibility in such cases. To the maximum extent permitted by law, Rimaster makes no warranty of suitability, merchantability, fitness for a particular purpose or non-infringement of third party's intellectual property rights. Moreover, Rimaster takes no responsibility for any indirect, consequential or special damages.*

## Code pins - riCon 80A



The information herein is provided "as is". Please be aware that the device may be damaged, and functionality cannot be assumed, if the limits or the parameters in this datasheet is exceeded. For avoidance, of doubt, Rimaster takes no responsibility in such cases. To the maximum extent permitted by law, Rimaster makes no warranty of suitability, merchantability, fitness for a particular purpose or non-infringement of third party's intellectual property rights. Moreover, Rimaster takes no responsibility for any indirect, consequential or special damages.

**riCon is available and verified in the following cable options:**

Standard TPE isolation according to EN60332-1-2 (class V0)

Dual battery cable PVC Red/Black

Standard HN01N2-D and HN001N2-E

*The information herein is provided "as is". Please be aware that the device may be damaged, and functionality cannot be assumed, if the limits or the parameters in this datasheet is exceeded. For avoidance, of doubt, Rimaster takes no responsibility in such cases. To the maximum extent permitted by law, Rimaster makes no warranty of suitability, merchantability, fitness for a particular purpose or non-infringement of third party's intellectual property rights. Moreover, Rimaster takes no responsibility for any indirect, consequential or special damages.*