

# M12 90° Female

5 Pos – 0.34 mm<sup>2</sup> – PUR – Code A



0.34 mm<sup>2</sup>



60 VDC



5 POS-A



4 A



-40°C



+85°C



CHEMICALS



ABRASION



IP68



UV

# M12 90° Female - 5 Pos 0.34 mm<sup>2</sup> - PUR - Code A

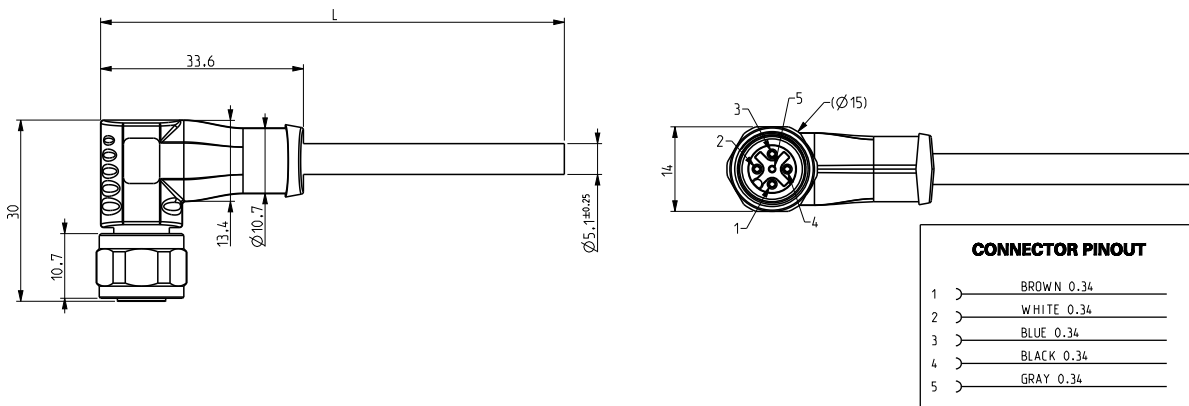


## Specifications & qualifications

- ✓ IP 68 – according to IEC 60529:2003
- ✓ Abrasion – ISO 6722-1:2011, technical card KT/242
- ✓ Temperature cycling – IEC 60068-2-14:2009, Test N
- ✓ Cold T° steady state test – IEC 60068-2-1, test Ab: -40°C, 72h
- ✓ Heat T° steady state test – IEC 60068-2-2, test Bb: +85°C, 72h
- ✓ UV / Solar radiation – EN/IEC 60068-2-5:2018, test S
- ✓ Fluid contamination NPK – IEC 60068-2-74 test Xc: 70°C, 93h
- ✓ PA Material
- ✓ Nut – Stainless Steel 304
- ✓ PUR Cable 125°C
- ✓ UL94 V-0
- ✓ CE
- ✓ Reach
- ✓ RoHS

## Technical data

Specific lengths or custom terminations on demand						
Part number	L	Cable	Bending radius	Cable specifications	Conductor composition	Conductor insulation
0012-0000-01000A	1000 mm	5x0.34 mm <sup>2</sup>	4xOD	PUR HT class C Black Color Halogen Free	Strands in conductor 11–12 (Approx. value) Copper strand diameter 0.19 mm	XHFFR
0012-0000-02000A	2000 mm	5x0.34 mm <sup>2</sup>				Nom. Wall thickness 0.35 mm
0012-0000-05000A	5000 mm	5x0.34 mm <sup>2</sup>				Nom. Outer diameter 1.45±0.2
0012-0000-10000A	10000 mm	5x0.34 mm <sup>2</sup>				



The information herein is provided "as is". Please be aware that the device may be damaged, and functionality cannot be assumed, if the limits or the parameters in this datasheet is exceeded. For avoidance, of doubt, Rimaster takes no responsibility in such cases. To the maximum extent permitted by law, Rimaster makes no warranty of suitability, merchantability, fitness for a particular purpose or non-infringement of third party's intellectual property rights. Moreover, Rimaster takes no responsibility for any indirect, consequential or special damages.



### Discover riInforced

Scan the QR code to access up-to-date information on all riInforced products, including datasheets and local contact details.

↳ Alternatively, visit [rimaster.se/en/riinforced/](https://rimaster.se/en/riinforced/)