



# riCon 160A

Power | Connect | Durable



16–50 mm<sup>2</sup>



150 VDC



250 A



IP23



-55°C



+105°C



BATTERY  
ACID

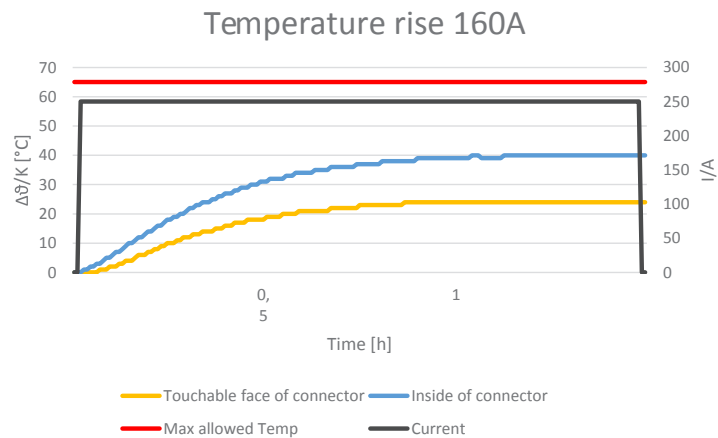


IMPACT  
RESISTANT

## Technical data - riCon 160A

Nominal voltage	150 V DC			
Current rating I	160 A acc. DIN EN1175-A1:2020			
Current rating II	250 A acc. DIN EN1175-A1:2020			
Temperature range	-55°C...+105°C			
Standards	DIN VDE 0623-589			
	DIN EN1175-A1:2020 Current rating I and II			
	UL1977			
	CSA C22.2 No. 182.3			
Material housing	NORM	>PP-GF30<		
	Color	Black		
	Halogen-free	Yes		
	UV resistant	Natural protection		
	Chemical resistance	EN1175-A1:2020	Yes	
	Flammability	UL-94	HB	
	UL E-file	E544979		
	Material contacts	Cu-ETP and minimum 6-micron silver plating.		
Installation Specifications	Recommended fastening torque	3,5 Nm		

### Heating of connector



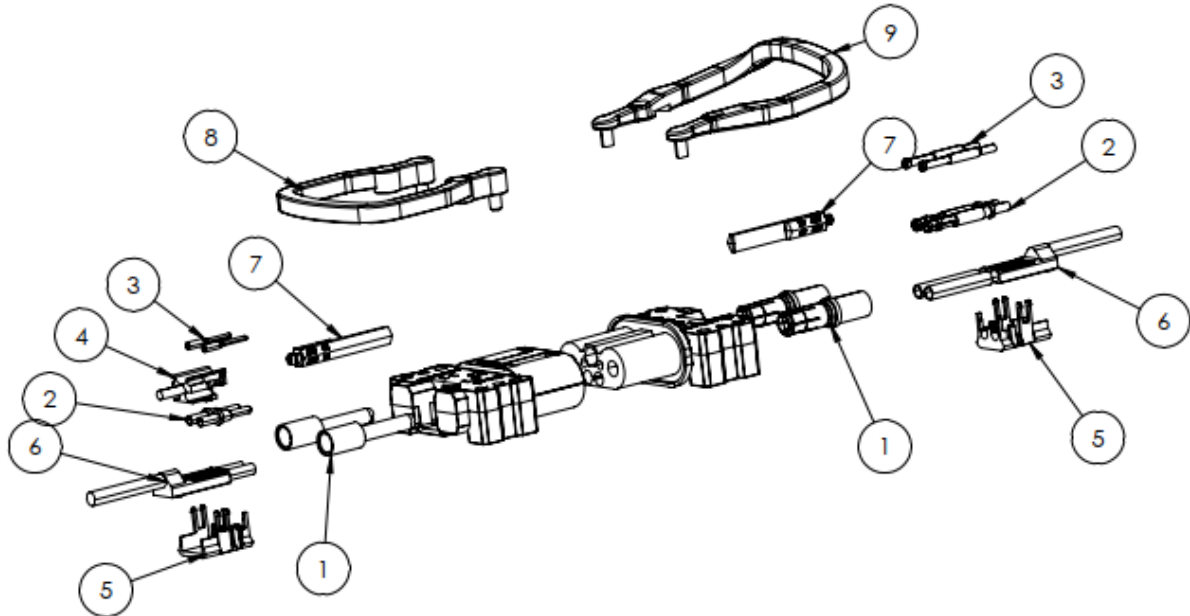
The information herein is provided "as is". Please be aware that the device may be damaged, and functionality cannot be assumed, if the limits or the parameters in this datasheet is exceeded. For avoidance, of doubt, Rimaster takes no responsibility in such cases. To the maximum extent permitted by law, Rimaster makes no warranty of suitability, merchantability, fitness for a particular purpose or non-infringement of third party's intellectual property rights. Moreover, Rimaster takes no responsibility for any indirect, consequential or special damages.



#### Discover riCon

Scan the QR code to access up-to-date information on all riCon products, including datasheets and local contact details.

↳ Alternatively, visit [rimaster.se/en/ricon/](https://rimaster.se/en/ricon/)



## Components - riCon 160A

Item number	Name	160A Plug			160A Socket		
1	Power contact 10 mm <sup>2</sup>	With reducing bush			N/A		
	Power contact 16 mm <sup>2</sup>	X			N/A		
	Power contact 25 mm <sup>2</sup>	X			With reducing bush		
	Power contact 35 mm <sup>2</sup>	X			X		
	Power contact 50 mm <sup>2</sup>	X	0,5–1 mm <sup>2</sup>	2,5 mm <sup>2</sup>	X	0,5–1 mm <sup>2</sup>	2,5 mm <sup>2</sup>
2*	Pilot contacts		RIM85932	RIM85931		RIM85930	RIM85928
3	Auxiliary contacts		RIM85927	RIM85926		RIM85925	RIM85924
4	Insert part	RIM79262			RIM79262		
5*	Locking part	RIM74540			RIM74540		
6*	Air adapter	RIM82126			RIM82125		
7	Code pin – Grey	See page 6			See page 6		
8	Handle – Low profile	RIM71784			RIM71784		
9	Handle – High profile	RIM23928			RIM23928		
2+3+4+5	Auxiliary and Pilot kit						
5+6	Air adapter kit	RES00013			RES00018		
3+4+5	Auxiliary kit	RES00011			RES00016		
2+4+5	Pilot kit	RES00012			RES00017		

\* Locking part is only needed if options are mounted on the connector.  
Pilot contacts and air adapter uses the same mountings in the connector and cannot be used together.

*The information herein is provided "as is". Please be aware that the device may be damaged, and functionality cannot be assumed, if the limits or the parameters in this datasheet is exceeded. For avoidance, of doubt, Rimaster takes no responsibility in such cases. To the maximum extent permitted by law, Rimaster makes no warranty of suitability, merchantability, fitness for a particular purpose or non-infringement of third party's intellectual property rights. Moreover, Rimaster takes no responsibility for any indirect, consequential or special damages.*



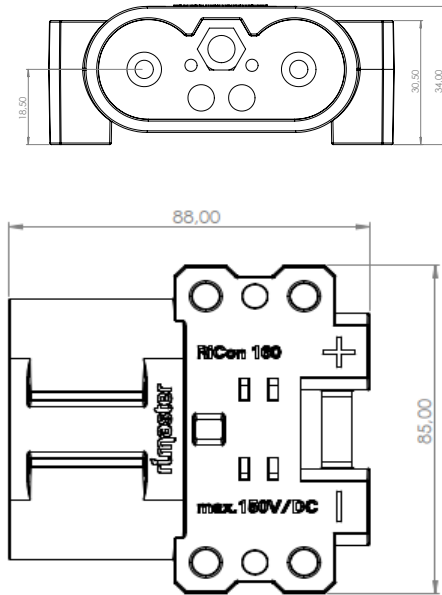
### Discover riCon

Scan the QR code to access up-to-date information on all riCon products, including datasheets and local contact details.

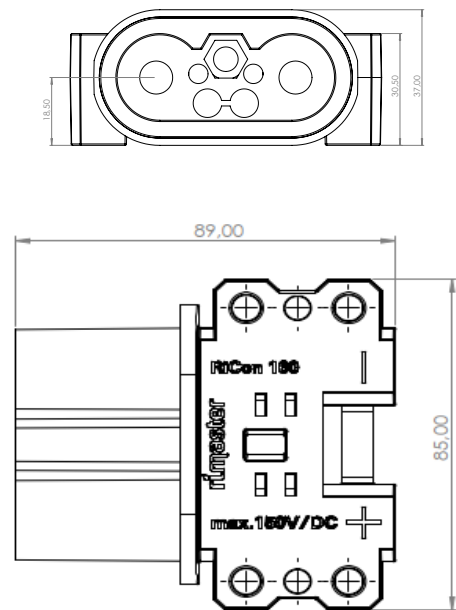
↳ Alternatively, visit [rimaster.se/en/ricon/](https://rimaster.se/en/ricon/)

## Dimensions - riCon 160A

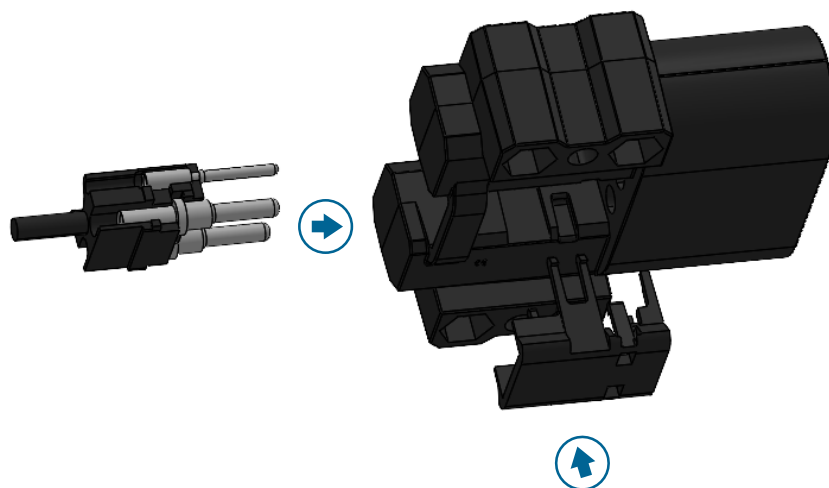
Plug connector



Socket connector



Insert part for fast and easy assembling of auxillary and pilot lines.



*The information herein is provided "as is". Please be aware that the device may be damaged, and functionality cannot be assumed, if the limits or the parameters in this datasheet is exceeded. For avoidance, of doubt, Rimaster takes no responsibility in such cases. To the maximum extent permitted by law, Rimaster makes no warranty of suitability, merchantability, fitness for a particular purpose or non-infringement of third party's intellectual property rights. Moreover, Rimaster takes no responsibility for any indirect, consequential or special damages.*



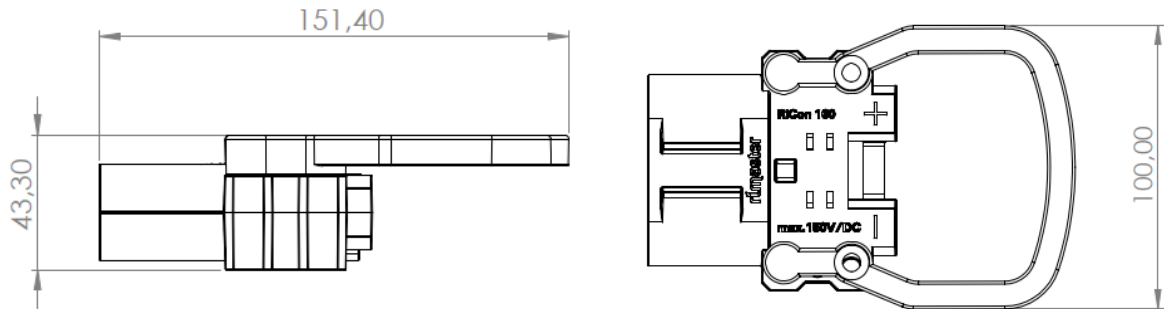
**Discover riCon**

Scan the QR code to access up-to-date information on all riCon products, including datasheets and local contact details.

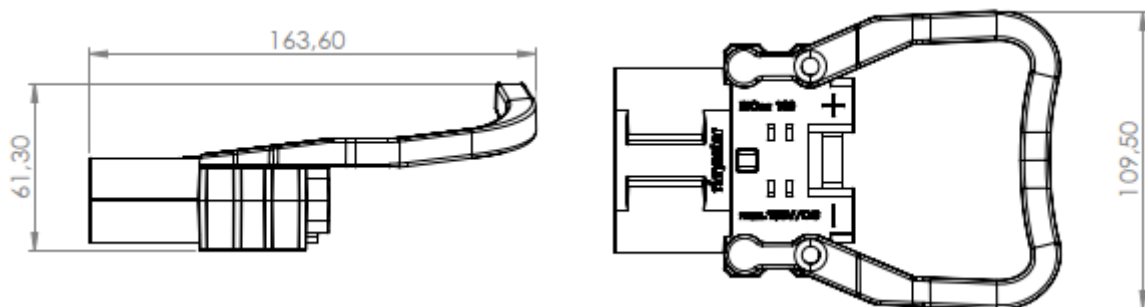
↳ Alternatively, visit [rimaster.se/en/ricon/](https://rimaster.se/en/ricon/)

## Dimensions - riCon 160A

Low profile handle



High profile handle



*The information herein is provided "as is". Please be aware that the device may be damaged, and functionality cannot be assumed, if the limits or the parameters in this datasheet is exceeded. For avoidance, of doubt, Rimaster takes no responsibility in such cases. To the maximum extent permitted by law, Rimaster makes no warranty of suitability, merchantability, fitness for a particular purpose or non-infringement of third party's intellectual property rights. Moreover, Rimaster takes no responsibility for any indirect, consequential or special damages.*

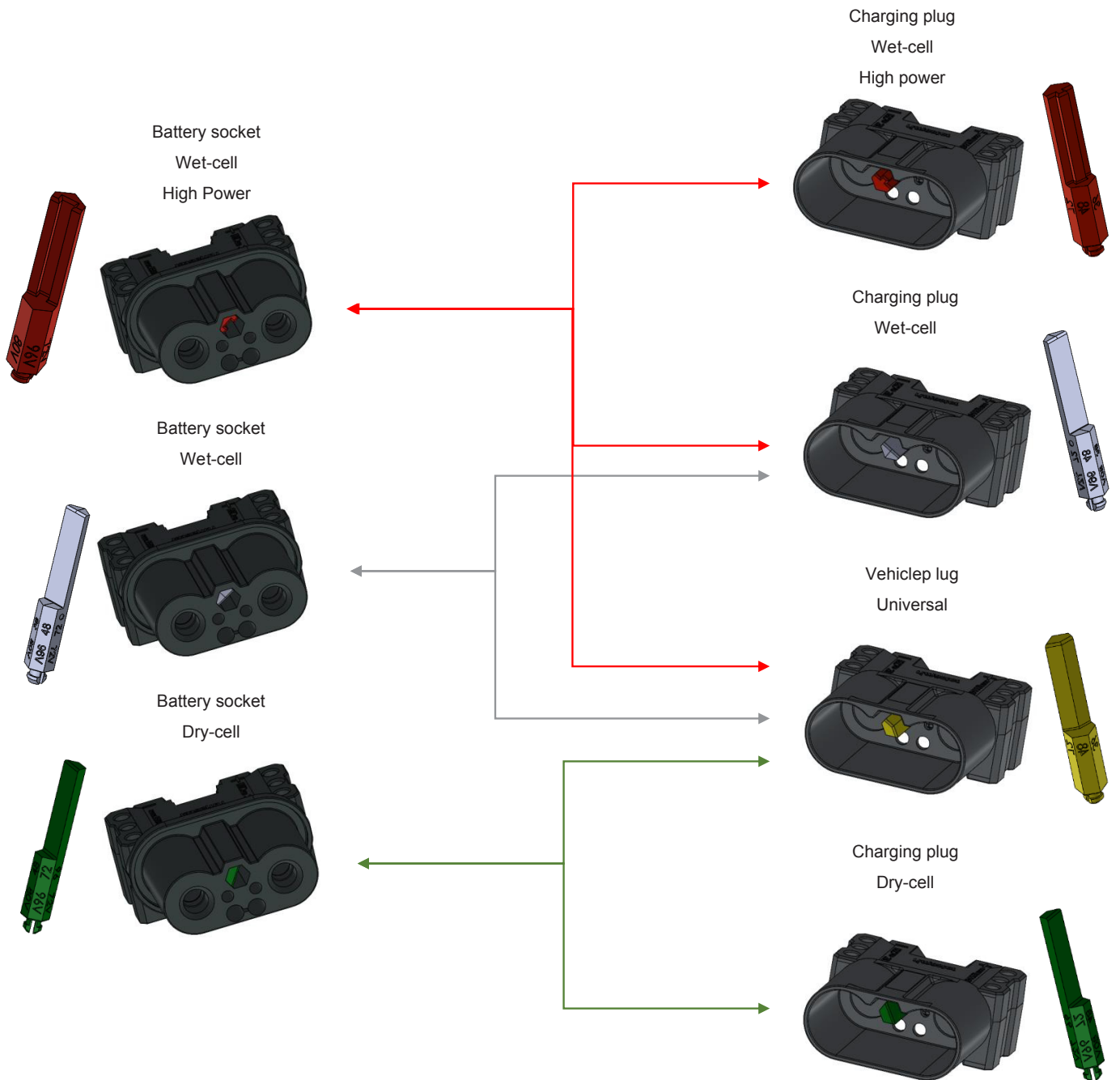


### Discover riCon

Scan the QR code to access up-to-date information on all riCon products, including datasheets and local contact details.

↳ Alternatively, visit [rimaster.se/en/ricon/](https://rimaster.se/en/ricon/)

## Code pins - riCon 160A



*The information herein is provided "as is". Please be aware that the device may be damaged, and functionality cannot be assumed, if the limits or the parameters in this datasheet is exceeded. For avoidance, of doubt, Rimaster takes no responsibility in such cases. To the maximum extent permitted by law, Rimaster makes no warranty of suitability, merchantability, fitness for a particular purpose or non-infringement of third party's intellectual property rights. Moreover, Rimaster takes no responsibility for any indirect, consequential or special damages.*



**Discover riCon**  
Scan the QR code to access up-to-date information on all riCon products, including datasheets and local contact details.  
↳ Alternatively, visit [rimaster.se/en/ricon/](https://rimaster.se/en/ricon/)

**riCon is available and verified in the following cable options:**

Standard TPE isolation according to EN60332-1-2 (class V0)

Dual battery cable PVC Red/Black

Standard HN01N2-D and HN001N2-E

*The information herein is provided "as is". Please be aware that the device may be damaged, and functionality cannot be assumed, if the limits or the parameters in this datasheet is exceeded. For avoidance, of doubt, Rimaster takes no responsibility in such cases. To the maximum extent permitted by law, Rimaster makes no warranty of suitability, merchantability, fitness for a particular purpose or non-infringement of third party's intellectual property rights. Moreover, Rimaster takes no responsibility for any indirect, consequential or special damages.*



**Discover riCon**

Scan the QR code to access up-to-date information on all riCon products, including datasheets and local contact details.

↳ Alternatively, visit [rimaster.se/en/ricon/](https://rimaster.se/en/ricon/)