

riCon 320A

Power | Connect | Durable



25–95 mm²



150 VDC



400 A



IP23



-55°C



+105°C



BATTERY
ACID

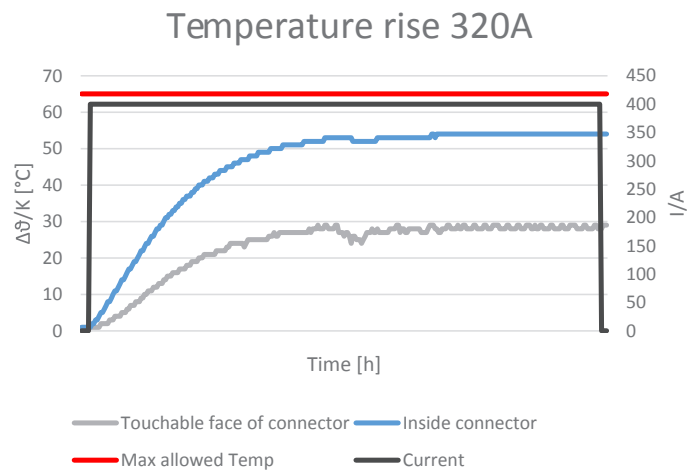


IMPACT
RESISTANT

Technical data - riCon 320A

Nominal voltage	150 V DC			
Current rating I	320 A acc. DIN EN1175-A1:2020			
Current rating II	400 A acc. DIN EN1175-A1:2020			
Temperature range	-55°C...+105°C			
Standards	DIN VDE 0623-589			
	DIN EN1175-A1:2020 Current rating I and II			
	UL1977			
	CSA C22.2 No. 182.3			
Material housing	NORM	>PP-GF30<		
	Color	Black		
	Halogen-free	Yes		
	UV resistant	Natural protection		
	Chemical resistance	EN1175-A1:2020	Yes	
	Flammability	UL-94	HB	
	UL E-file	E544979		
Material contacts	Cu-ETP and minimum 6-micron silver plating.			
Installation Specifications	Recommended fastening torque	3,5 Nm		

Heating of connector



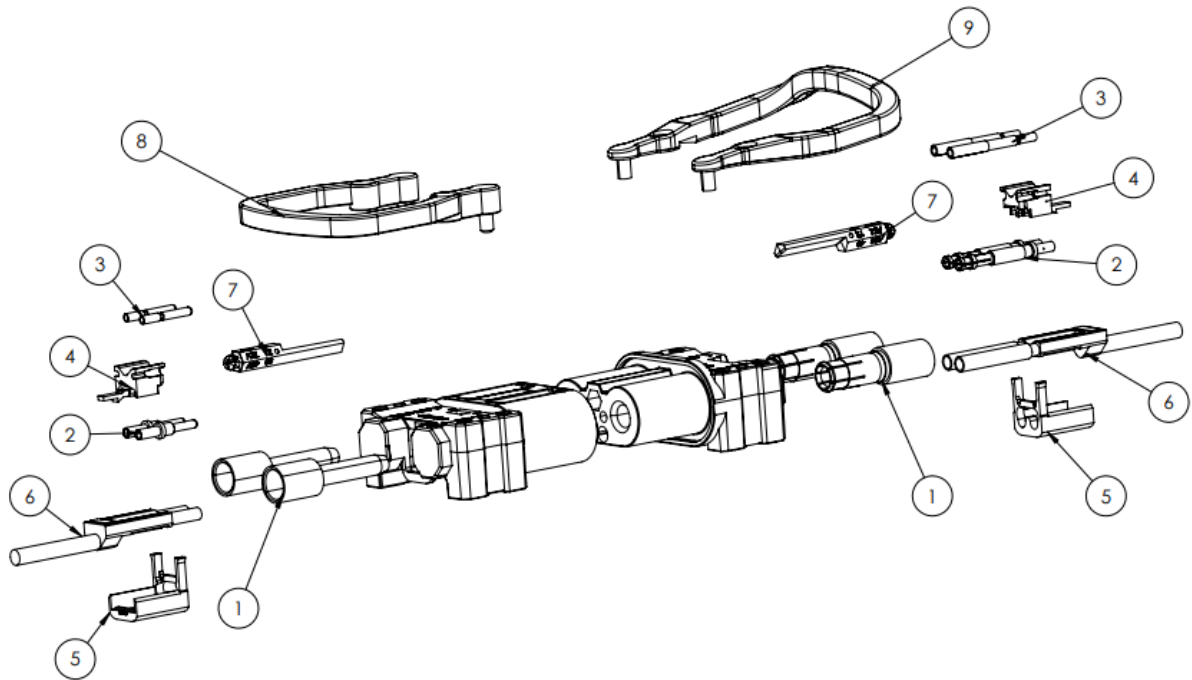
The information herein is provided "as is". Please be aware that the device may be damaged, and functionality cannot be assumed, if the limits or the parameters in this datasheet is exceeded. For avoidance, of doubt, Rimaster takes no responsibility in such cases. To the maximum extent permitted by law, Rimaster makes no warranty of suitability, merchantability, fitness for a particular purpose or non-infringement of third party's intellectual property rights. Moreover, Rimaster takes no responsibility for any indirect, consequential or special damages.



Discover riCon

Scan the QR code to access up-to-date information on all riCon products, including datasheets and local contact details.

↳ Alternatively, visit rimaster.se/en/ricon/



Components - riCon 320A

Item number	Name	320A Plug			320A Socket		
1	Power contact 25 mm ²	X			N/A		
	Power contact 35 mm ²	X			With reducing bush		
	Power contact 50 mm ²	X			X		
	Power contact 70 mm ²	X			X		
	Power contact 95 mm ²	X	0,5–1 mm ²	2,5 mm ²	X	0,5–1 mm ²	2,5 mm ²
2*	Pilot contacts		RIM85940	RIM85939		RIM85938	RIM85937
3	Auxiliary contacts		RIM85936	RIM85935		RIM85934	RIM85933
4	Insert part	RIM79261			RIM79261		
5*	Locking part	RIM74539			RIM74539		
6*	Air adapter	RIM81706			RIM81707		
7	Code pin	See page 6			See page 6		
8	Handle – Low profile	RIM71784			RIM71784		
9	Handle – High profile	RIM23928			RIM23928		
2+3+4+5	Auxiliary and Pilot kit						
5+6	Air adapter kit	RES00023			RES00028		
3+4+5	Auxiliary kit	RES00021			RES00026		
2+4+5	Pilot kit	RES00022			RES00027		

* Locking part is only needed if options are mounted on the connector.
Pilot contacts and air adapter uses the same mountings in the connector and cannot be used together.

The information herein is provided "as is". Please be aware that the device may be damaged, and functionality cannot be assumed, if the limits or the parameters in this datasheet is exceeded. For avoidance, of doubt, Rimaster takes no responsibility in such cases. To the maximum extent permitted by law, Rimaster makes no warranty of suitability, merchantability, fitness for a particular purpose or non-infringement of third party's intellectual property rights. Moreover, Rimaster takes no responsibility for any indirect, consequential or special damages.



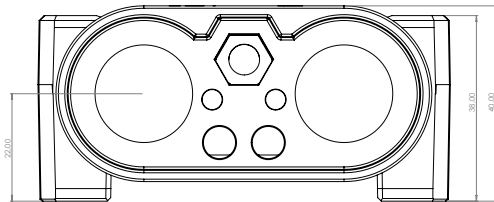
Discover riCon

Scan the QR code to access up-to-date information on all riCon products, including datasheets and local contact details.

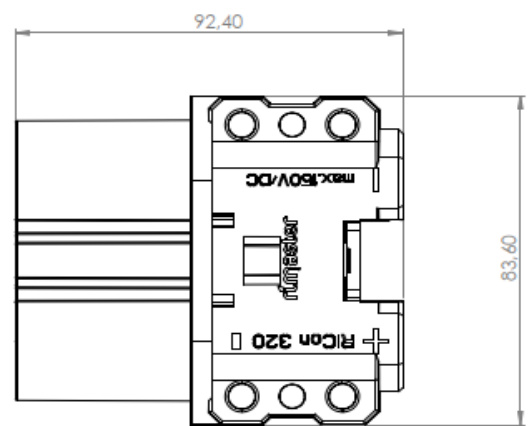
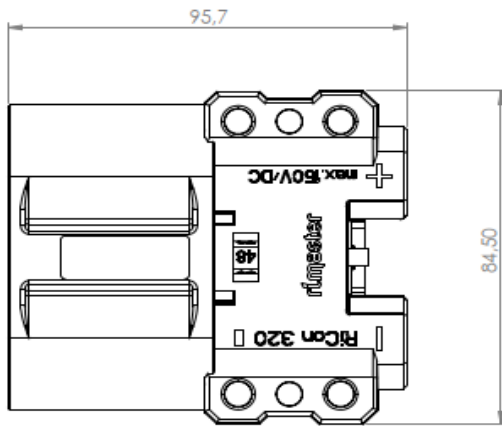
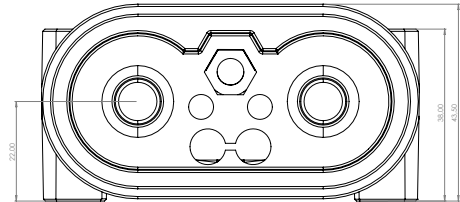
↳ Alternatively, visit rimaster.se/en/ricon/

Dimensions - riCon 320A

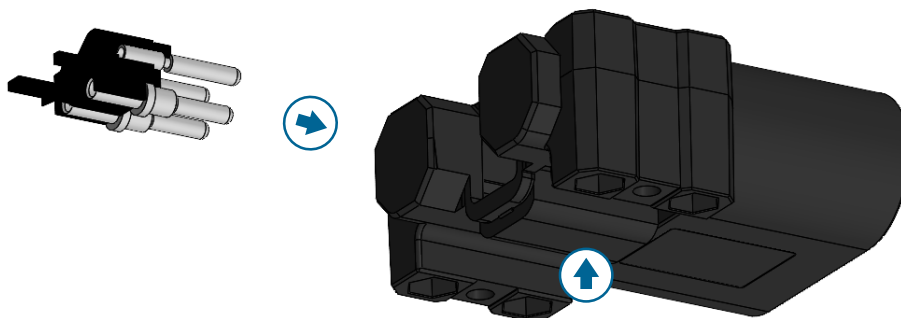
Plug connector



Socket connector



Insert part for fast and easy assembling of auxillary and pilot lines.



The information herein is provided "as is". Please be aware that the device may be damaged, and functionality cannot be assumed, if the limits or the parameters in this datasheet is exceeded. For avoidance, of doubt, Rimaster takes no responsibility in such cases. To the maximum extent permitted by law, Rimaster makes no warranty of suitability, merchantability, fitness for a particular purpose or non-infringement of third party's intellectual property rights. Moreover, Rimaster takes no responsibility for any indirect, consequential or special damages.



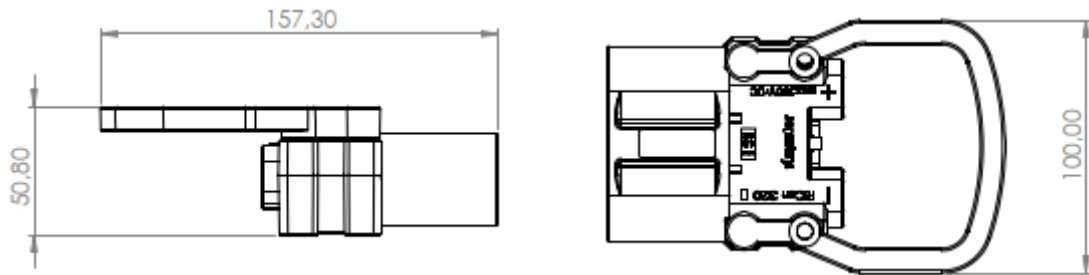
Discover riCon

Scan the QR code to access up-to-date information on all riCon products, including datasheets and local contact details.

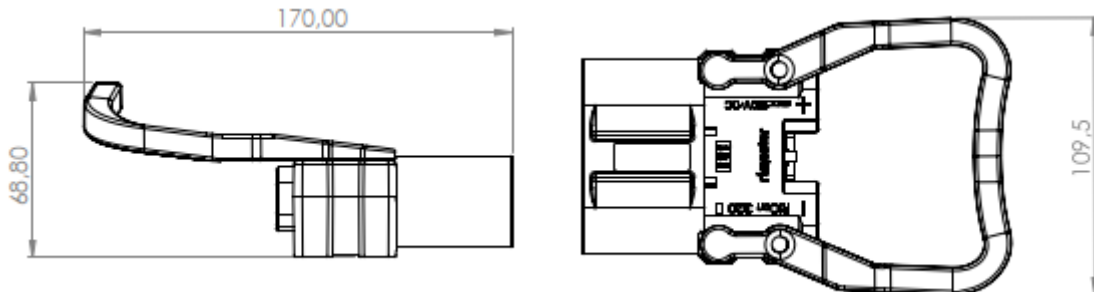
↳ Alternatively, visit rimaster.se/en/ricon/

Dimensions - riCon 320A

Low profile handle



High profile handle



The information herein is provided "as is". Please be aware that the device may be damaged, and functionality cannot be assumed, if the limits or the parameters in this datasheet is exceeded. For avoidance, of doubt, Rimaster takes no responsibility in such cases. To the maximum extent permitted by law, Rimaster makes no warranty of suitability, merchantability, fitness for a particular purpose or non-infringement of third party's intellectual property rights. Moreover, Rimaster takes no responsibility for any indirect, consequential or special damages.

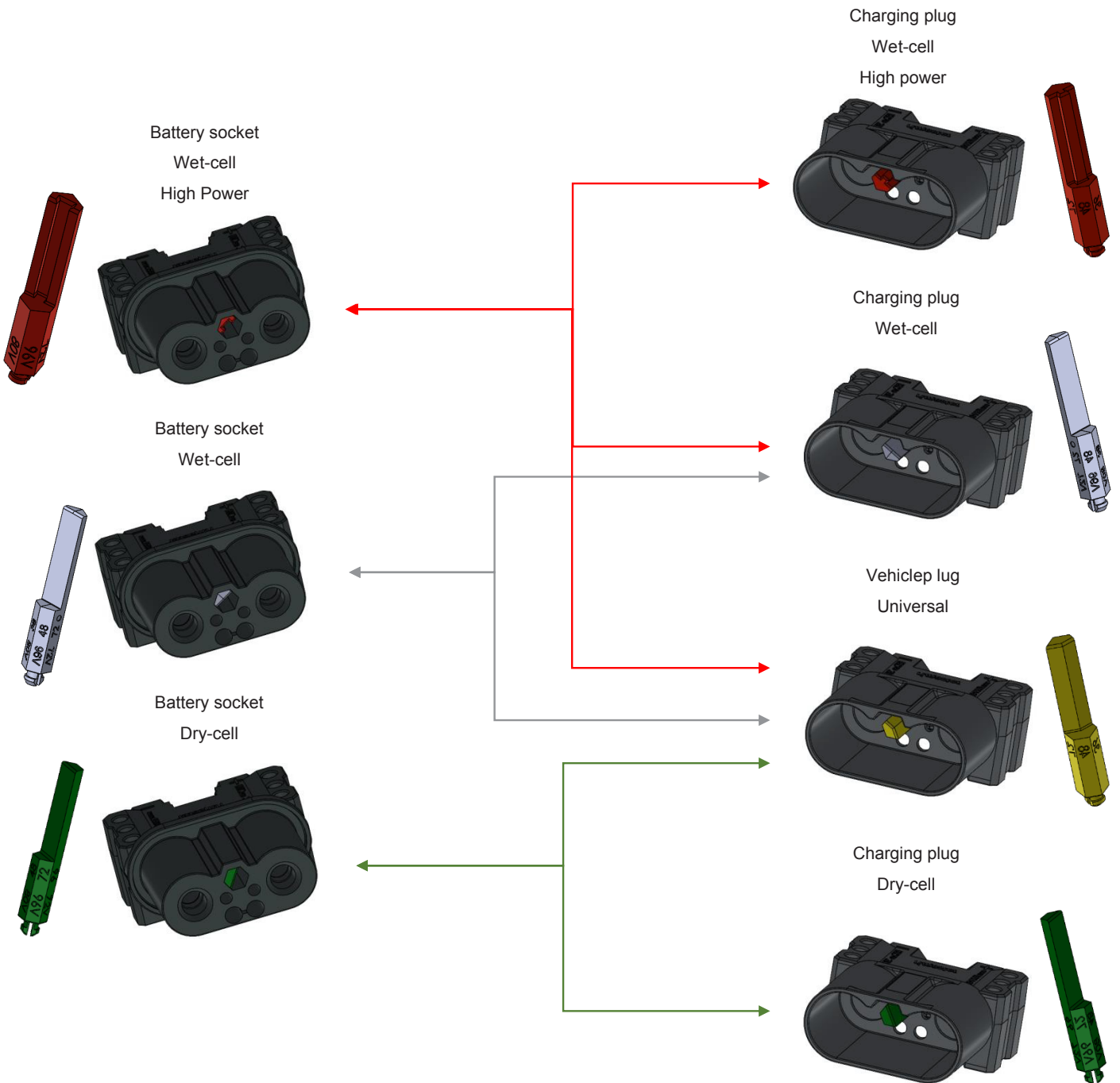


Discover riCon

Scan the QR code to access up-to-date information on all riCon products, including datasheets and local contact details.

↳ Alternatively, visit rimaster.se/en/ricon/

Code pins - riCon 320A



The information herein is provided "as is". Please be aware that the device may be damaged, and functionality cannot be assumed, if the limits or the parameters in this datasheet is exceeded. For avoidance, of doubt, Rimaster takes no responsibility in such cases. To the maximum extent permitted by law, Rimaster makes no warranty of suitability, merchantability, fitness for a particular purpose or non-infringement of third party's intellectual property rights. Moreover, Rimaster takes no responsibility for any indirect, consequential or special damages.



Discover riCon
Scan the QR code to access up-to-date information on all riCon products, including datasheets and local contact details.
↳ Alternatively, visit rimaster.se/en/ricon/

riCon is available and verified in the following cable options:

Standard TPE isolation according to EN60332-1-2 (class V0)

Dual battery cable PVC Red/Black

Standard HN01N2-D and HN001N2-E

The information herein is provided "as is". Please be aware that the device may be damaged, and functionality cannot be assumed, if the limits or the parameters in this datasheet is exceeded. For avoidance, of doubt, Rimaster takes no responsibility in such cases. To the maximum extent permitted by law, Rimaster makes no warranty of suitability, merchantability, fitness for a particular purpose or non-infringement of third party's intellectual property rights. Moreover, Rimaster takes no responsibility for any indirect, consequential or special damages.



Discover riCon

Scan the QR code to access up-to-date information on all riCon products, including datasheets and local contact details.

↳ Alternatively, visit rimaster.se/en/ricon/